



IDEAL FOR
POLE
MOUNTING

BT7017

I-BEAM / GIRDER MOUNT FOR Ø50MM POLES



The BT7017 enables the suspension of pole mounted solutions up to 140kg from I-Beam girders. Compatible with B-Tech's range of BT7850 Ø50mm poles the locking bolt securely sets the pole vertically at any angle up to 36 degrees.

SPECIFICATION

Max load	140kg
Tilt	up to +/-36°
Adjustable width	80mm - 250mm

FEATURES

- Adjustable I-Beam (girder) mount for use with Ø50mm poles
- Locking bolt included to securely set the pole vertical at any angle up to 36°
- Fits I-Beams and thick steel from 80mm - 250mm in width
- Integrated cable management



For use with Ø50mm poles



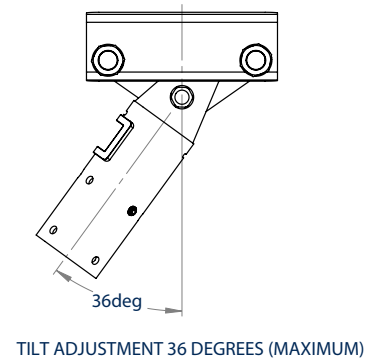
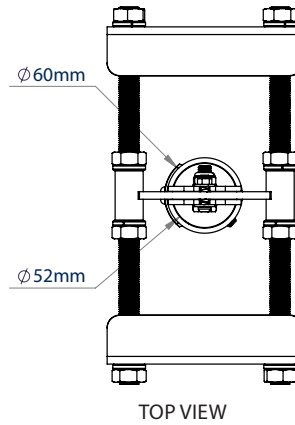
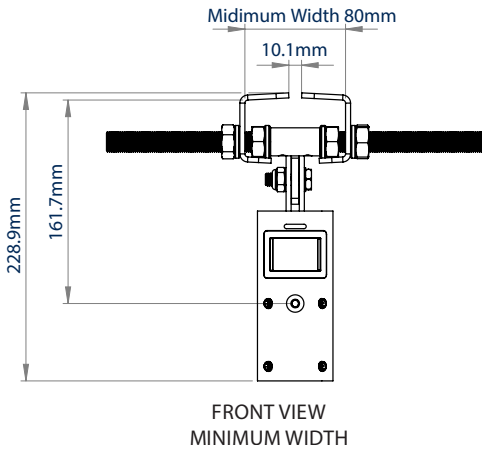
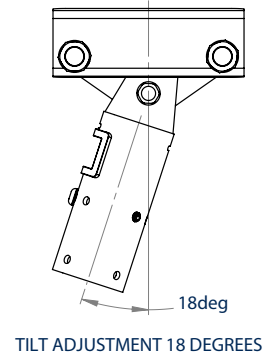
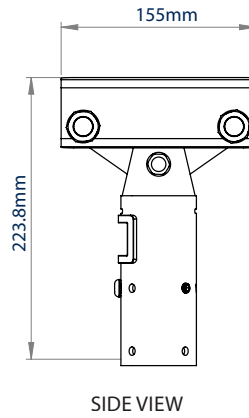
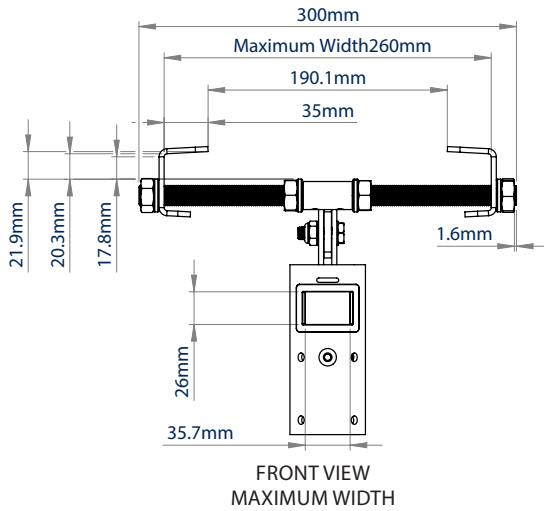
Locking bolt included to securely set the pole vertical at any angle up to 36°



Fits I-Beams and thick steel from 80mm - 250mm in width



Integrated cable management



PACKING INFORMATION

COLOUR:	ORDER REF:	EAN CODE:	PCS (QTY):	INNER CARTONS:	MASTER CARTONS:	MASTER CARTON WEIGHT:	MASTER CARTON CUBE:
Black	BT7017/B	5019318070181	4	0	1	13.3kg	0.035cbm

ACCESSORIES & RELATED PRODUCTS



BT7012
Purlin Mount for use with Ø50mm pole



BT7825
Truss Mount for use with Ø50mm pole



BT7808
Ceiling / wall mount with tilt designed to mount a Ø50mm pole to a flat or angled ceiling



BT7850
Ø50mm Poles available in White, Chrome or Black and in a variety of lengths from 0.5m to 3m

© 2015 B-Tech Professional Limited. All rights reserved.
The information in this specification is current technical specifications at the time of print.
We warrant the right to charge the technical or physical specifications without prior notice. This B-Tech Professional and B-Tech logo are registered trademarks of B-Tech Professional Ltd.
B-Tech Professional is not liable for loss or damage caused by improper or negligent installation, use, or maintenance. Any reproduction or transmission or replication of any part of this specification is expressly prohibited unless prior written permission has been granted by B-Tech Professional Ltd. (BTL)

SS-BT7017-AZ, 1-140422