



IDEAL FOR CORNER MOUNTING

BT75 15

DOUBLE ARM FLAT SCREEN WALL MOUNT WITH TILT & SWIVEL

Designed to mount medium sized flat screens, the BT7515 features a double articulated arm with easy tilt adjustment. The wall plate features 'OWLS' on wall levelling system to ensure a straight and smart installation. The BT7515 is also compatible with B-Tech's range of poles and collars, increasing the number of different ways it can be mounted, ideal for commercial applications as well as home installations. Security screws are provided to help prevent unauthorized removal of the screen.

SPECIFICATION

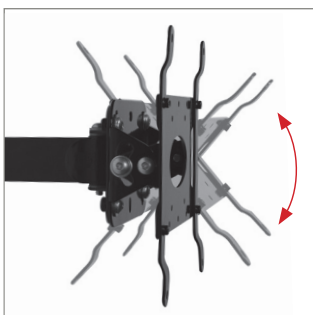
Recommended screen size	up to 47"
Max load	25kg
VESA® compatibility	up to 200 x 200
Tilt adjustment	+/-40°
Swivel at wall	180°
Distance from wall	95mm to 525mm
Colour	Black

FEATURES

- Easy tilt and swivel adjustment
- Features three swivel points: 180° at wall, 360° at central pivot and 240° at interface
- Folds flat to the wall
- Includes CLIPLOGIC® cable management
- Includes Security locking screws and Allen key to prevent unauthorised removal of the screen
- Simple 'hook-on' installation with all mounting hardware included



fullmotionmounts



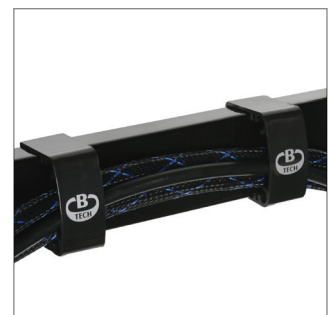
Easy tilt adjustment of +/-40°



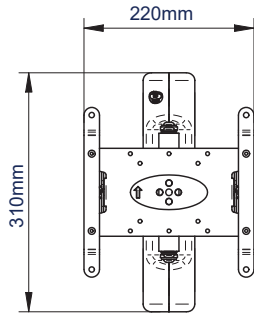
Security locking screws provided



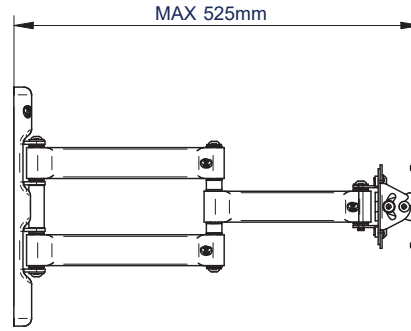
Space saving deasign - folds flat against the wall



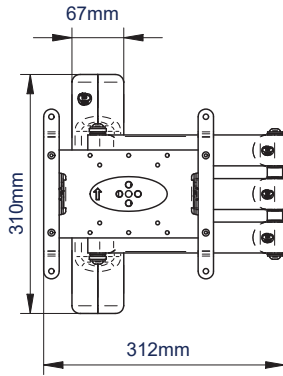
CLIPLOGIC™ cable management



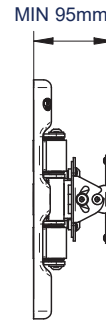
FRONT VIEW - MAXIMUM EXTENSION



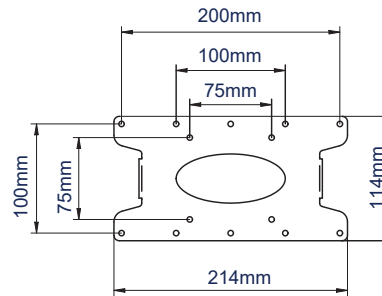
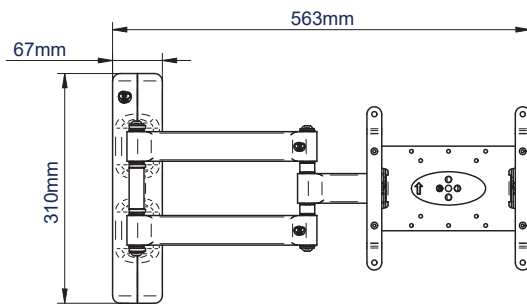
SIDE VIEW - MAXIMUM EXTENSION



FRONT VIEW - FOLDED TO WALL



SIDE VIEW - FOLDED TO WALL



INTERFACE PLATE - FRONT VIEW

PACKING INFORMATION

COLOUR:	ORDER REF:	EAN CODE:	MASTER CARTON QTY:	INNER CARTON QTY:	MASTER CARTON WEIGHT:	MASTER CARTON CUBE:
Black	BT7515/PB	5019318750151	2	0	9.32kg	0.033cbm

RELATED PRODUCTS AND ACCESSORIES OF THE BT7515



BT7532
Fixed Flat Screen Wall Mount for screens up to 47"



BT7514
Single Arm Flat Screen Wall Mount with Tilt & Swivel for screens up to 47"



BT7514
Double Arm Flat Screen Wall Mount with Tilt & Swivel for screens up to 60"



BT7841
2 x Accessory Collars attaches the mount to Ø50mm poles

© 2015 B-Tech Professional Design & Manufacturing Limited. All rights reserved. This document is the property of B-Tech Professional Design & Manufacturing Limited. No part of this document may be reproduced or transmitted in any form or by any means, electronic or mechanical, including photocopying and recording, or by any information storage and retrieval system, without the prior written permission of B-Tech Professional Design & Manufacturing Limited. B-Tech Professional Design & Manufacturing Limited is not liable for any damage caused by improper use, installation or modification of the product. B-Tech Professional Design & Manufacturing Limited is not liable for any damage caused by the use of the product in an environment where the product is not intended to be used. B-Tech Professional Design & Manufacturing Limited is not liable for any damage caused by the use of the product in an environment where the product is not intended to be used.

SS-BT7515-V3-151021 European Trademark Number: 001713280-0008