



LIVE GAMER **DUO**

GC570D



English	Polski
Deutsch	Türkçe
Español	Magyar
Français	Русский
Italiano	ภาษาไทย
Português	繁體中文
Čeština	简体中文
Nederlands	한국어

QUICK GUIDE

Disclaimer

All pictures contained in this documentation are example images only. The images may vary depending on the product and software version. Information presented in this documentation has been carefully checked for reliability; however, no responsibility is assumed for inaccuracies. The information contained in this documentation is subject to change without notice.

Copyright and Trademark Information

© 2020 by AVerMedia Technologies, Inc. All rights reserved. No part of this publication, in whole or in part, may be reproduced, transmitted, transcribed, altered or translated into any language in any form by any means without the written permission of AVerMedia Technologies, Inc. Information and specification contained in this manual are subject to change without notice and do not represent a commitment on the part of AVerMedia. For more information, please visit www.avermedia.com.

AVerMedia and RECentral are trademarks or registered trademarks of AVerMedia Technologies, Inc.

Headquarters

Address No.135, Jian 1st Rd., Zhonghe Dist., New Taipei City 23585, Taiwan
Website www.avermedia.com
Support www.avermedia.com/support/technical
Telephone +886-2-2226-3630

US Office

Address 4735B Fremont Blvd., Fremont, CA 94538, United States
Website www.avermedia-usa.com
Telephone +1 (510) 403 0006

Head Office EU (AVT Solutions GmbH)

Address Hanauer Landstrasse 291 B, 60314 Frankfurt-Hessen, Germany
Website www.avermedia.com/support/contact

國際總部

地址 2358 新北市中和區建一路 135 號
網址 www.avermedia.com
支援 www.avermedia.com/support/contact
電話 +886-2-2226-3630

中国子公司

地址 上海市静安区武宁南路 488 号智慧广场 1510 室
网址 www.avermedia.com.cn
电话 +86-21-52987985

Important Safety Instructions

1. Read these instructions.
2. Keep these instructions.
3. Follow all instructions.
4. Heed all warnings.
5. Do not use the apparatus on uneven or unstable surfaces.
6. Do not use this apparatus in a wet environment or near water.
7. Unplug the apparatus before cleaning. Clean only with a dry cloth.
8. Use in a well ventilated environment. Do not block any ventilation openings.

9. Use the apparatus within ambient temperatures 32 - 104°F (0 - 40°C).
10. Use power sources within the specified voltage range.
11. Do not place heavy objects on the apparatus.
12. Do not install near heat sources such as radiators or stoves.
13. Do not defeat the safety purposes of the polarized or grounding-type plug.
14. Protect the power cord from being walked on or pinched, particularly where the cord connects with plugs or adapters.
15. Only use the attachments and accessories specified by the manufacturer.
16. Unplug this apparatus during lightning or when unused for prolonged periods of time.
17. Do not modify or disassemble the apparatus in any way.
18. Refer all servicing to AVerMedia Customer Service.
19. Do not dispose the apparatus as general household waste. Dispose in accordance with local environmental laws.

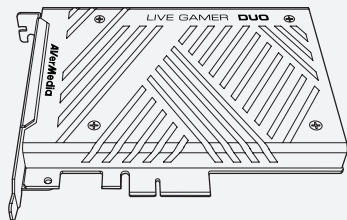
重要安全說明

1. 仔細閱讀這些說明。
2. 妥善保存這些說明。
3. 遵守所有的指示。
4. 注意所有的警告。
5. 請勿將本產品安裝於不平整的表面。
6. 請勿在潮濕或靠近水的地方使用本產品。
7. 清潔前請拔除電源，僅使用乾布清潔。
8. 請於通風的環境使用本產品，請勿堵住通風口。
9. 請於規格溫度範圍 32 - 104°F (0 - 40°C) 使用本產品。
10. 請使用額定電壓範圍內的電源。
11. 請勿放置重物於本產品上。
12. 請勿安裝於熱源附近如暖器或火爐旁。
13. 請勿破壞極性或接地插頭的安全防護設計。
14. 請保護電源線，勿使其被踩踏或碾壓，特別是與插頭或變壓器的連接處。
15. 僅使用製造商指定的配件及零件。
16. 打雷或長時間不使用時請拔除電源。
17. 請勿以任何方式改造或拆解本產品。
18. 如需維修請洽本公司客服人員。
19. 請勿當作家庭垃圾任意丟棄，請遵從當地環境法規妥善處理。

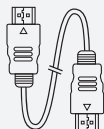
重要安全说明

1. 仔细阅读这些说明。
2. 妥善保存这些说明。
3. 遵守所有的指示。
4. 注意所有的警告。
5. 请勿将本产品安装于不平整的表面。
6. 请勿在潮湿或靠近水的地方使用本产品。
7. 清洁前请拔除电源，仅使用干布清洁。
8. 请于通风的环境使用本产品，请勿堵住通风口。
9. 请于规格温度范围 32 - 104°F (0 - 40°C) 使用本产品。
10. 请使用额定电压范围内的电源。
11. 请勿放置重物于本产品上。
12. 请勿安装于热源附近如暖器或火炉旁。
13. 请勿破坏极性或接地插头的安全防护设计。
14. 请保护电源线，勿使其被踩踏或碾压，特别是与插头或变压器的连接处。
15. 仅使用制造商指定的配件及零件。
16. 打雷或长时间不使用时请拔除电源。
17. 请勿以任何方式改造或拆解本产品。
18. 如需维修请洽本公司客服人员。
19. 请勿当作家庭垃圾任意丢弃，请遵从当地环境法规妥善处理。

Inside the Box



Live Gamer DUO

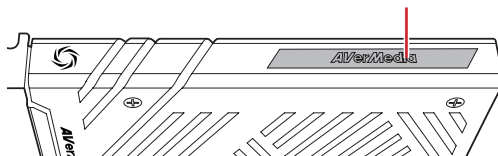
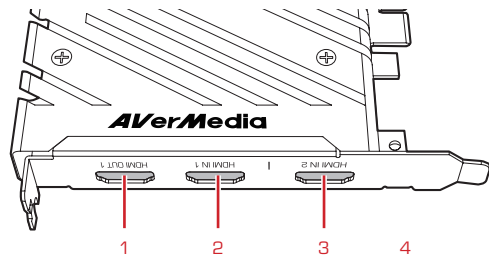


HDMI 2.0 Cable



Quick Guide

Ports



- | | |
|---|-----------------------------------|
| 1 | HDMI Output Port 1 (Pass-Through) |
| 2 | HDMI Input Port 1 |
| 3 | HDMI Input Port 2 |
| 4 | LED Indicator |

INSTALLATION

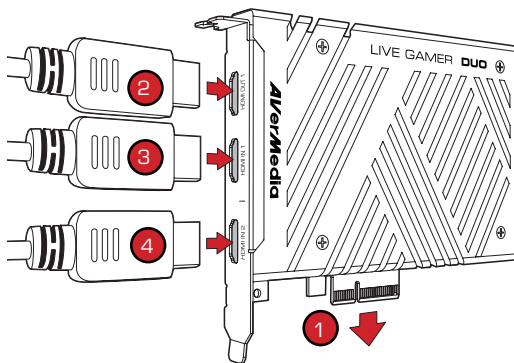
LGD

1. Insert LGD to a PCIe x4 Gen 2 slot in your PC
2. Connect your monitor to the HDMI-OUT 1 port for pass-through of captured content
3. Connect your first video source (console / graphics card / another PC) to the HDMI-IN 1 port
4. Connect your second video source (DSLR / camcorder) to the HDMI-IN 2 port

RECentral

RECentral is the default streaming/recording software designed for Live Gamer capture cards. It also includes settings for the LGD's lighting effects.

Download it from: g.avermedia.com/gc570d_recentral



LED INDICATIONS

Solid Blue / RGB Effects	Ready
Slow Flashing Red	Recording
Slow Flashing Blue	Streaming
Fast Flashing Red	Disk Almost Full
Solid Red	Disk Full Error: Streaming / Recording Stopped

SPECIFICATIONS

Interface	PCI Express x4 Gen 2
Input	Input 1: HDMI 2.0 Input 2: HDMI 1.4
Output (Pass-Through)	Output 1: HDMI 2.0
Max. Recording Resolution	Input 1: 1080p60 HDR Input 2: 1080p60
Supported Resolution	Input 1: 2160p, 1440p, 1080p, 1080i, 720p, 576p, 480p Input 2: 1080p, 1080i, 720p, 576p, 480p
Max. Pass-Through Resolution	2160p60 HDR / 1080p240
Record Format	MPEG 4 (H.264 + AAC) or (H.265 + AAC)*
Dimensions (W x D x H)	125 x 140 x 22 mm
Weight	209 g

*H.265 compression and HDR recording are supported by RECentral

Note: Specifications are subject to change without notice. Please refer to our website for the latest details.

Deutsch

ERSTE SCHRITTE

Verpackungsinhalt

- Live Gamer DUO
- HDMI-2.0-Kabel
- Schnellstartanleitung

Teile und Anschlüsse

1. HDMI Ausgang 1 (durchleitung)
2. HDMI Eingang 1
3. HDMI Eingang 2
4. LED-Meldeleuchte

INSTALLATION

LGD

1. Stecken Sie LGD in einen freien PCIe x4 Gen 2 Slot Ihres PC
2. Schliessen Sie einen Monitor an den HDMI-OUT 1 Anschluss an für das Durchschleifen des erfassten Inhalts
3. Schließen Sie Ihre erste Videoquelle (Konsole / Grafikkarte / einen anderen PC) an den HDMI IN 1-Anschluss an
4. Schließen Sie Ihre zweite Videoquelle (DSLR / Camcorder) an den HDMI IN 2-Anschluss an

RECentral

RECentral ist die Standard Streaming/ Aufnahme Software designed für Live Gamer Capture Karten. Die Einstellungen für die Beleuchtungseffekte von LGD sind auch inbegriffen. Download hier: q.avermedia.com/gc570d_recentral

LED-ANZEIGEN

- Dauerhaft blau / RGB-Effekte: Bereit
- Langsam rot blinkend: Aufzeichnung
- Langsam blau blinkend: Streaming
- Schnelles rot blinken: Festplatte fast voll
- Stetig rot: Festplatte voll / Fehler: Streaming oder Aufnahme angehalten

Español

PREPARACIÓN

Dentro de la caja

- Live Gamer DUO
- Cable HDMI 2.0
- Guía Rápida

Partes y Puertos

1. Salida HDMI Puerto 1 (Pass-Through)
2. Entrada HDMI Puerto 1
3. Entrada HDMI Puerto 2
4. Indicador LED

INSTALACIÓN

LGD

1. Inserta LGD en una ranura PCIe x4 Gen 2 de tu PC
2. Conecta un monitor a la salida HDMI 1 para ver el contenido
3. Conecte su Primera Fuente de Video (Consola / Tarjeta Gráfica / Otro PC) en HDMI-IN Puerto 1
4. Conecte su Segunda Fuente de Video (DSLR / Videocámara) en HDMI-IN Puerto 2

RECentral

RECentral es el software de grabación/streaming diseñado para las capturadoras Live Gamer. Incluye Ajustes para Efectos de Iluminación LGD. Descárgalo desde aquí: q.avermedia.com/gc570d_recentral

INDICACIONES LED

- Azul Fijo / Efectos RGB: Listo
- Parpadeo Lento Rojo: Grabando
- Parpadeo Lento Azul: Streaming
- Rápido Parpadeo Luz Roja: Disco Casi Lleno
- Luz Roja: Disco Lleno / Error : Transmisión o Grabación Parada

Français

PRÉPARATION

Contenu de la Boîte

- Live Gamer DUO
- Câble HDMI 2.0
- Guide de Démarrage

Éléments et Connectique

1. Port de sortie HDMI 1 (Passerelle)
2. Port d'entrée HDMI 1
3. Port d'entrée HDMI 2
4. Indicateur LED

INSTALLATION

LGD

1. Insérez la carte LGD dans un slot PCIe x4 Gen 2 de votre PC
2. Branchez un moniteur au port HDMI-OUT 1 pour laisser passer et afficher le contenu capturé.
3. Connectez votre première source vidéo (console / carte graphique / autre PC) au port HDMI-IN 1
4. Connectez votre deuxième source vidéo (DSLR / caméscope) au port HDMI-IN 2

RECentral

RECentral est le logiciel de streaming/ enregistrement conçu pour les cartes Live Gamer. Paramétrages des effets lumineux du LGD inclus. Téléchargez-le depuis: q.avermedia.com/gc570d_recentral

CHARTRE DES DIODES LED

- Bleu Fixe / Effets RGB: Prêt
- Clignotement Lent Rouge: Enregistrement en cours
- Clignotement Lent Bleu: Streaming en cours
- Clignotement Rouge Rapide: Mémoire presque remplie
- Rouge Fixe: Mémoire remplie / Erreur : Streaming ou Enregistrement arrêté

Italiano

PREPARAZIONE

Contenuto della scatola

- Live Gamer DUO
- Cavo HDMI 2.0
- Guida rapida

Parti e componenti

1. Porta di uscita HDMI 1 (pass-through)
2. Porta di ingresso HDMI 1
3. Porta di ingresso HDMI 2
4. Indicatore LED

INSTALLAZIONE

LGD

1. Inserire LGD in uno slot PCIe x4 Gen 2 sul PC
2. Collegare uno schermo alla porta HDMI-OUT 1 per avere il pass-through dei contenuti acquisiti
3. Collega la prima sorgente video (console / scheda grafica / altro PC) alla porta HDMI-IN 1
4. Collega la seconda sorgente video (DSLR / videocamera) alla porta HDMI-IN 2

RECentral

RECentral è il software predefinito per lo streaming / la registrazione progettato per schede di cattura dal vivo per i videogiochi. Include anche le impostazioni per gli effetti di luce LGD. Scaricalo da: q.avermedia.com/gc570d_recentral

INDICAZIONI LED

- Blu fisso / Effetti RGB: Pronto
- Rosso lampeggiante lento: Registrazione
- Blu lampeggiante lento: Streaming
- Rosso lampeggiante veloce: Disco quasi pieno
- Rosso fisso: Disco pieno / Errore: trasmissione e registrazione interrotta

Português

PREPARAÇÃO

Conteúdo da embalagem

- Live Gamer DUO
- Cabo HDMI 2.0
- Guia Rápido

Partes e Portas

1. Porta de saída HDMI 1 (transferência)
2. Porta de entrada HDMI 1
3. Porta de entrada HDMI 2
4. Indicador LED

INSTALAÇÃO

LGD

1. Introduza o LGD numa slot PCIe x4 Gen 2 do computador
2. Ligue um monitor à porta HDMI-OUT 1 para transferência do conteúdo capturado
3. Ligue a primeira fonte de vídeo (console/placa gráfica/outro PC) à porta HDMI-IN 1
4. Ligue a segunda fonte de vídeo (DSLR/câmara de vídeo) à porta HDMI-IN 2

RECentral

RECentral é o software de transmissão/gravação predefinido concebido para placas de captura Live Gamer. Isto também inclui as definições para os efeitos luminosos do LGD. Transfira a partir de: q.avermedia.com/gc570d_recentral

INDICAÇÕES DO LED

- Azul fixo / Efeitos RGB: Pronto
- Vermelho intermitente lento: A gravar
- Azul intermitente lento: A transmitir
- Vermelho de intermitência rápida: Disco quase cheio
- Vermelho fixo: Disco cheio / Erro: Transmissão ou gravação parada

Čeština

PŘÍPRAVA

Obsah balení

- Live Gamer DUO
- HDMI kabel 2.0
- Příručka

PČásti a porty

1. Výstup HDMI 1 (průchozí)
2. Vstup HDMI 1
3. Vstup HDMI 2
4. Kontrolka LED

INSTALACE

LGD

1. Vložte LGD kartu do volného PCIe x4 Gen 2 slotu vašeho PC
2. Připojte váš monitor do HDMI-OUT 1 (výstupu)
3. Připojte první zdroj videa (konzoli, grafickou kartu, jiný počítač) do vstupu HDMI 1
4. Připojte druhý zdroj videa (fotoaparát, kamera) do vstupu HDMI 2

RECentral

RECentral je výchozí aplikace pro streaming / záznam videa navržena pro karty Live Gamer. Také zahrnuje nastavení pro světelné efekty LGD. Stahujte z: q.avermedia.com/gc570d_recentral

STAVY LED

- Trvale modrá / Efekty RGB: připraveno
- Pomalu blikající červená: záznam
- Pomalu blikající modrá: streaming
- Rychle blikající červená: Téměř plný disk
- Trvalé svítící červená: Plný disk / Chyba: Zastavil se streaming nebo záznam

Nederlands

VOORBEREIDING

Leveringsomvang

- Live Gamer DUO
- HDMI-2.0-kabel
- Korte handleiding

Onderdelen en aansluitingen

1. HDMI-uitgangspoort 1 (pass-through)
2. HDMI-ingangspoort 1
3. HDMI-ingangspoort 2
4. LED-indicator

INSTALLATIE

LGD

1. Steek de LGD in een PCIe x4 Gen 2 poort van uw pc
2. Sluit een monitor aan op de HDMI-OUT 1 poort voor doorvoer van opgenomen inhoud
3. Sluit uw eerste videobron (console / grafische kaart / andere pc) aan op de poort HDMI-IN 1
4. Sluit uw tweede videobron (DSLR / camcorder) aan op de poort HDMI-IN 2

RECentral

RECentral is de standaard streaming-/opnamesoftware ontworpen voor Live Gamer opnamekaarten. Het bevat ook instellingen voor de LGD-verlichtingseffecten.

Download het op: q.avermedia.com/gc570d_recentral

LED-INDICATIES

- Constant blauw / RGB-effecten: gereed
- Traag rood knipperen: opname
- Traag blauw knipperen: streaming
- Snel rood knipperen: Disk bijna vol
- Constant rood: Disk vol / Fout: streaming of opname gestopt

Polski

PRZYGOTOWANIE

W pudełku

- Live Gamer DUO
- Kabel HDMI
- Szybki przewodnik

Elementy i porty

1. Port HDMI-OUT 1 (Pass-Through)
2. Port HDMI-IN 1
3. Port HDMI-IN 2
4. Kontrolka LED (dioda)

INSTALACJA

LGD

1. Włóż LGD do gniazda PCIe x4 Gen 2 w twoim PC
2. Podłącz monitor do portu HDMI-OUT 1 do przepuszczenia zarejestrowanej zawartości
3. Podłączyc pierwsze źródło wideo (konsola / karta graficzna / inny komputer) do portu HDMI-IN 1
4. Podłączyc drugie źródło wideo (DSLR / kamera) do portu HDMI-IN 2

RECentral

RECentral to domyślne oprogramowanie do przesyłania strumieniowego / nagrywania, które jest przeznaczone do kart Live Gamer. Zawiera również ustawienia dla efektów LGD.

Można je pobrać z: q.avermedia.com/gc570d_recentral

WSKAZANIA LED

- Niebieski ciągly / Efekty RGB: gotowy
- Powoli migający czerwony: nagrywanie
- Powoli migający niebieski: strumieniowanie
- Szybko migające czerwone światło: Dysk prawie pełny
- Ciągłe czerwone światło: Dysk pełny / Błąd: przesyłanie lub nagrywanie zatrzymane

Türkçe

HAZIRLIK

Kutu içindekiler

- Live Gamer DUO
- HDMI 2.0 Kablosu
- Hızlı Kılavuz

Bağlantı Noktaları

1. HDMI Çıkış 1 Bağlantı Noktası (Geçiş)
2. HDMI Giriş 1 Bağlantı Noktası
3. HDMI Giriş 2 Bağlantı Noktası
4. LED Gösterge

KURULUM

LGD

1. LGD'yi PC'nizdeki bir PCIe x4 Gen 2 yuvasına takın
2. Yakalanan içeriğin geçmesi için HDMI-OUT 1 (HDMI ÇIKIŞI) bağlantı noktasına montörü bağlayın
3. İlk video kaynağınızı (konsol / grafik kartı / başka bir PC) HDMI-IN 1 bağlantı noktasına bağlayın
4. İkinci video kaynağınızı (DSLR / video kamera) HDMI-IN 2 bağlantı noktasına bağlayın

RECentral

RECentral, Live Gamer yakalama kartları için tasarlanmış varsayılan akış / kayıt yazılımdır. Ayrıca LGD'nin aydınlatma efektleri için ayarları içerir. Şu adresten indirin: q.avermedia.com/gc570d_recentral

LED GÖSTERGELER

- Tam Mavi / RGB Efektleri: Hazır
- Yavaş Yanıp Sönen Kırmızı: Kayıt
- Yavaş Yanıp Sönen Mavi: Akış
- Hızlı Yanıp Sönen Kırmızı: Disk Neredeyse Dolu
- Sürekli Yanan Kırmızı: Disk Dolu / Hata: Akış veya Kayıt Durduruldu

Magyar

ELŐKÉSZÍTÉS

Mi van a dobozban

- Live Gamer DUO
- HDMI-2.0-kábel
- Gyors útmutató

Részegységek és portok

1. HDMI-kimenet 1. port (átvitel)
2. HDMI-bemenet 1. port
3. HDMI-bemenet 2. port
4. LED jelző

TELEPÍTÉS

LGD

1. Helyezze be az LGD kártyát egy PCIe x4 Gen 2 nyílásba a számítógépen
2. Csatlakoztasson egy monitort a HDMI-OUT 1 csatlakozóhoz a rögzített tartalom továbbításához
3. Csatlakoztassa az első videoforrást (konzol / grafikus kártya / másik számítógép) a HDMI-IN 1. porthoz
4. Csatlakoztassa a második videoforrást (DSLR / videokamera) a HDMI-IN 2. porthoz

RECentral

A RECentral az alapértelmezett adatfolyam-kezelő / rögzítő szoftver a Live Gamer rögzítőkártyákhoz. Beállítás tartalmaz az LGD világítás effektusokhoz. Töltse le innen: q.avermedia.com/gc570d_recentral

LED KIJELZÉSEK

- Folytonos kék / RGB effektusok: Kész
- Lassan villogó piros: Rögzítés
- Lassan villogó kék: Adatfolyam továbbítása
- Gyorsan villogó piros: Lemez majdnem tele
- Folyamatos piros: Lemez tele / Hiba: adatfolyam vagy rögzítés leálltva

Русский

ПОДГОТОВКА

Внутри коробки

- Live Gamer DUO
- Кабель HDMI 2.0
- Краткое пособие

Элементы и Порты

1. Сквозной (Pass-Through) HDMI выход 1 порт
2. HDMI вход 1 порт
3. HDMI вход 2 порт
4. Световой индикатор

УСТАНОВКА

LGD

1. Вставьте LGD в слот PCIe x4 Gen 2 в вашем компьютере
2. Подключите монитор к порту 1 HDMI-OUT для сквозного захвата контента
3. Подсоедините ваш первый видео источник (консоль / графическую карту / другой ПК) ко входу 1 HDMI порта
4. Подсоедините ваш второй видео источник (DSLR камеру / видео камеру) ко второму входу 2 HDMI порта

RECentral

RECentral это программа по умолчанию для потокового вещания/записи, предназначенная для карт захвата серии Live Gamer. Включает настройки световых эффектов LGD. Загрузить его можно с: q.avermedia.com/gc570d_recentral

СВЕТОДИОДНАЯ ИНДИКАЦИЯ

- Горит синий: Готов
- Медленно мигает красный: Запись
- Медленно мигает синий: Стрим
- Быстро мигает красный: Диск почти заполнен
- Горит красный: Диск заполнен / Ошибка: Стрим или запись остановлены

ภาษาไทย

การเตรียมการ

ภายในกล่อง

- Live Gamer DUO
- สาย HDMI 2.0
- คู่มือใช้งานเบื้องต้น

ชิ้นส่วนและพอร์ต

1. พอร์ต HDMI Output 1 (Pass-Through)
2. พอร์ต HDMI Input 1
3. พอร์ต HDMI Input 2
4. ไฟสถานะ LED

การติดตั้ง

LGD

1. ใส่ LGD ลงในสล็อต PCIe x4 Gen 2 ในเครื่องคอมพิวเตอร์ของคุณ
2. เชื่อมต่อจอภาพเข้ากับพอร์ต HDMI-OUT 1 เพื่อส่งผ่านข้อมูลที่ถ่าย
3. เชื่อมต่อแหล่งวิดีโอแรกของคุณ (คอนโซล / การ์ดกราฟิก / พีซีเครื่องอื่น) กับพอร์ต HDMI-IN 1
4. เชื่อมต่อแหล่งวิดีโอที่สองของคุณ (DSLR / กล้องถ่ายวิดีโอ) กับพอร์ต HDMI-IN 2

RECentral

RECentral เป็นซอฟต์แวร์สตรีมมิง / บันทึกภาพที่ได้รับความนิยมมากที่สุดสำหรับการ์ดจับภาพ Live Gamer นอกจากนี้ยังมีการตั้งค่าสำหรับเอฟเฟกต์แสงของ LGD. ดาวน์โหลดได้จาก: q.avermedia.com/gc570d_recentral

การบ่งชี้สถานะของ LED

- สีน้ำเงิน / เอฟเฟกต์ RGB: พร้อมใช้งาน
- สีแดงกระพริบช้าๆ: กำลังบันทึก
- สีน้ำเงินกระพริบช้าๆ: กำลังสตรีมมิง
- สัญญาณไฟแดงกระพริบอย่างรวดเร็ว: ที่เก็บข้อมูลใกล้จะเต็ม
- สัญญาณไฟแดงค้าง: ที่เก็บข้อมูลเต็ม / ผิดพลาด:

การสตรีมและการบันทึกหยุดการทำงาน

繁體中文

使用前準備

盒內配件

- LGD 實況攝取卡
- HDMI 2.0 線
- 快速安裝手冊

外觀簡介

1. HDMI 影像輸出 1 (Pass-Through)
2. HDMI 影像輸入 1
3. HDMI 影像輸入 2
4. LED 指示燈

安裝

LGD

1. 將 LGD 插入您 PC 內的 PCIe x4 Gen 2 槽
2. 將螢幕連接 HDMI 輸出 1，以傳輸攝取內容
3. 將第一個影像來源 (遊戲主機/顯卡/另一台 PC) 連接至 HDMI-IN 1
4. 將第二個影像來源 (DSLR 相機/攝影機) 連接至 HDMI-IN 2

RECentral

RECentral 是專為 Live Gamer 系列攝取卡而打造的直播/錄影軟體。它還包括 LGD LED 燈的效果設定。由此下載: q.avermedia.com/gc570d_recentral

LED 燈號指示對照表

- 藍燈恆亮 / RGB 效果: 準備完成
- 紅燈呼吸: 錄製中
- 藍燈呼吸: 直播中
- 紅燈快速閃爍: 儲存空間將滿
- 紅燈恆亮: 儲存空間已滿 / 錯誤: 直播或錄影已停止

简体中文

使用前准备

包装附件

- 双路直播采集卡 GC570D
- HDMI 2.0 线缆
- 快速安装手册

外观介绍

1. HDMI 出口 1 (环出)
2. HDMI 输入 1
3. HDMI 输入 2
4. LED 指示灯

安装

双路直播采集卡 GC570D

1. 将 GC570D 插入您 PC 内的 PCIe x4 Gen 2 槽
2. 将 GC570D HDMI 输出 1 连接到显示器，以显示采集内容
3. 连接你的第一个视频源 (家用游戏主机/显卡) 至 HDMI-IN 1 口
4. 连接你的第二个视频源 (单反/摄像机) 至 HDMI-IN 2 口

RECentral

RECentral 是专为 高清游戏直播盒/卡 而设计的直播/录制软件。它还包含设置 GC570D 的灯光效果。由此下载: q.avermedia.com/gc570d_recentral

LED 指示灯

- 蓝灯常亮 / RGB 效果: 就绪
- 红色呼吸灯: 录制中
- 蓝色呼吸灯: 推流直播中
- 红灯快速闪烁: 磁盘空间将满
- 红灯常亮: 磁盘空间不足 / 错误: 录制或推流停止

한국어

준비

박스 안쪽

- Live Gamer DUO
- HDMI 2.0 케이블
- 퀵가이드

부품 및 포트

1. HDMI 출력 1 포트 (패스스루)
2. HDMI 입력 1 포트
3. HDMI 입력 2 포트
4. LED 지시등

설치

LGD

1. LGD 를 PC 의 PCIe x4 Gen 2 슬롯에 삽입합니다.
2. 캡처된 콘텐츠를 확인하기 위한 HDMI 출력단자 1 에 모니터를 연결합니다.
3. 비디오 소스 1 (콘솔/ 그래픽 카드/ 다른 컴퓨터)를 HDMI 입력 1 포트와 연결.
4. 비디오 소스 2 (DSLR/ 그래픽 카드/ 다른 컴퓨터)를 HDMI 입력 2 포트와 연결.

RECentral

RECentral 은 라이브 게이머 캡처카드를 위해 개발된 기본 스트리밍/레코딩 소프트웨어입니다. 또한 LGD의 조명 효과에 대한 설정도 포함됩니다. 다운로드: q.avermedia.com/gc570d_recentral

LED 상태표시

- 파란색 켜짐: 준비 상태
- 빨간색 천천히 깜박임: 녹화중
- 파란색 천천히 깜박임: 스트리밍 중
- 빨간색으로 빠르게 깜박임: 디스크가 거의 찼습니다
- 빨간색으로 켜짐: 디스크가 가득 찼습니다 / 에러: 스트리밍 또는 녹화가 중단되었습니다



Federal Communications Commission Statement

Class B

This device complies with Part 15 of the FCC Rules. Operation is subject to the following two conditions: (1) this device may not cause harmful interference, and (2) this device must accept any interference received, including interference that may cause undesired operation.

NOTE - This equipment has been tested and found to comply with the limits for a Class B digital device, pursuant to Part 15 of the FCC Rules. These limits are designed to provide reasonable protection against harmful interference in a residential installation. This equipment generates, uses and can radiate radio frequency energy and, if not installed and used in accordance with the instructions, may cause harmful interference to radio communications. However, there is no guarantee that interference will not occur in a particular installation. If this equipment does cause harmful interference to radio or television reception, which can be determined by tuning the equipment off and on, the user is encouraged to try to correct the interference by one or more of the following measures:

- Reorient or relocate the receiving antenna.
- Increase the separation between the equipment and receiver.
- Connect the equipment into an outlet on a circuit different from that to which the receiver is connected.
- Consult the dealer or an experienced radio/television technician for help.

CAUTION ON MODIFICATIONS

To comply with the limits for the Class B digital device, pursuant to Part 15 of the FCC Rules, this device must be installed in computer equipment certified to comply with the Class B limits. All cables used to connect the computer and peripherals must be shielded and grounded. Operation with non-certified computers or non-shielded cables may result in interference to radio or television reception.

Changes and modifications not expressly approved by the manufacturer or registrant of the equipment can void your authority to operate the equipment under Federal Communications Commission rules.



European Community Compliance Statement

Class B

This product is herewith confirmed to comply with the requirements set out in the Council Directives on the approximation of the laws of the Member States relating to Electromagnetic Compatibility Directive (EMC) 2014/30/EU



Waste Electrical and Electronic Equipment Directive

The mark of crossed-out wheeled bin indicates that this product must not be disposed of with your other household waste. Instead, you need to dispose of the waste equipment by handing it over to a designated collection point for the recycling of waste electrical and electronic equipment. For more information about where to drop off your waste equipment for recycling, please contact your household waste disposal service or the shop where you purchased the product.

CAN ICES-3 (B)/NMB-3(B)

Canada - Canada Industry Canada (IC) Labelling Requirements

Every manufacturer or importer shall ensure import or before offering for sale, as appropriate, that each unit of the type that they offer for sale bears, in allocation convenient for inspection, a permanent label or marking containing (in French and English), the following statement:

ICES-003 (Interference - Causing Equipment Standards)

"This class B digital apparatus complies with Canadian ICES-003.

Cet appareil numérique de la classe B est conforme à la norme NMB-003 du Canada."



Technical Regulations of the Customs Union

TR CU 020/2011

TR CU 004/2011



BSMI Registration of Product Certification (Taiwan)

【圖剛 BSMI 限用物質及其化學符號】放置於公司企業社會責任專頁

網址 <http://www.evermedia.com/tw/responsibility>

D33183
RoHS



MSIP Class B Statement (Korea)

R-R-AVM-
GC570D



Regulatory Compliance Mark



300AGC570EBW

GC570D

Live Gamer DUO

Capture Card / 擷取卡 / 易录卡

Made in Taiwan / 台灣製造 / 台湾制造



www.avermedia.com