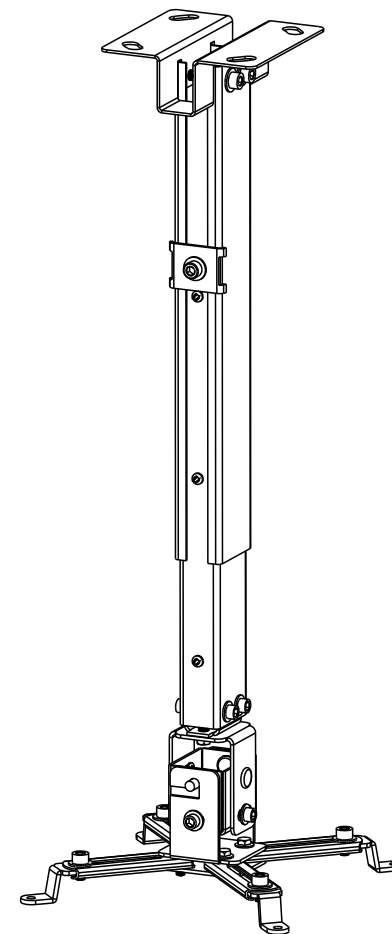




# Projector Ceiling Mount



**PRB-2**



**CAUTION:** DO NOT EXCEED RATED LISTED WEIGHT. SERIOUS INJURY OR PROPERTY DAMAGE MAY OCCUR!

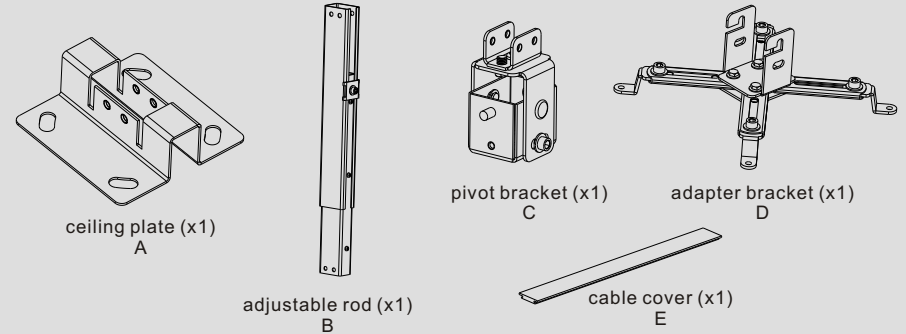
**NOTE:** Read the entire instruction manual before you start installation and assembly.

## ⚠ WARNING

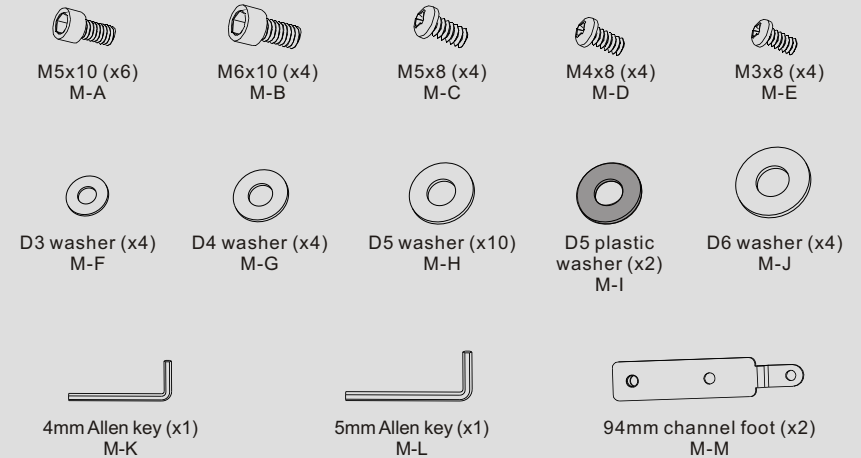
- Do not begin the installation until you have read and understood all the instructions and warnings contained in this installation sheet. If you have any questions regarding any of the instructions or warnings, please contact your local distributor.
- This mounting bracket was designed to be installed and utilised **ONLY** as specified in this manual. Improper installation of this product may cause damage or serious injury.
- This product should only be installed by someone with good mechanical ability who has basic building experience and fully understands this manual.
- Make sure that the supporting surface will safely support the combined weight of the equipment and all attached hardware and components.
- Always use an assistant or mechanical lifting equipment to safely lift and position the equipment.
- Tighten screws firmly, but do not over tighten. Over tightening can cause damage to the items, This greatly reduces their holding power.
- This product is intended for indoor use only. Using this product outdoors could lead to product failure and personal injury.

## Component Checklist

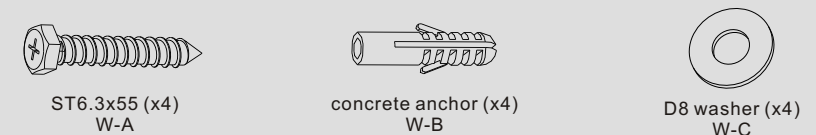
**IMPORTANT:** Ensure that you have received all parts according to the component checklist prior to installation. If any parts are missing or faulty, telephone your local distributor for a replacement.



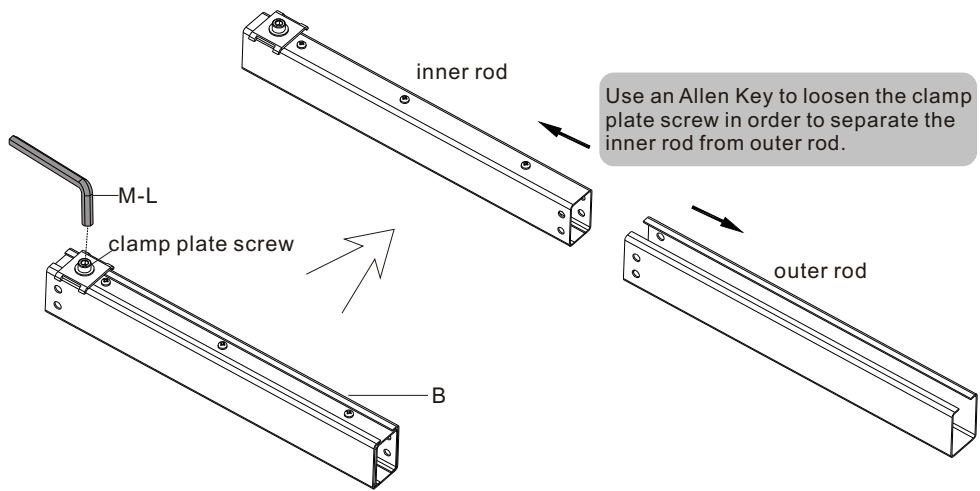
### Package M



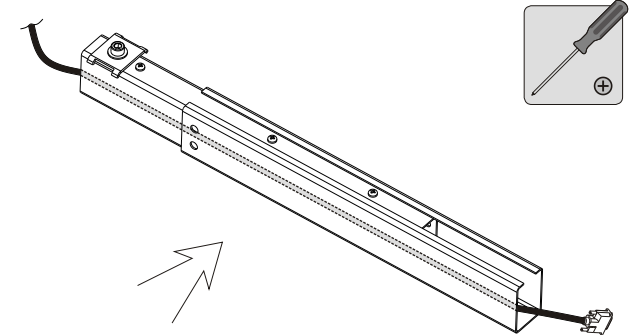
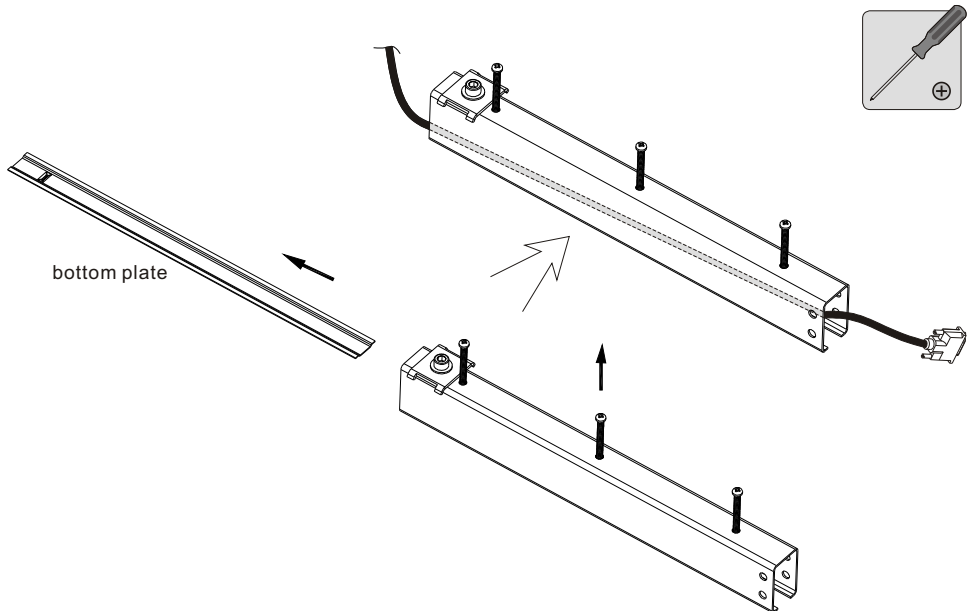
### Package W



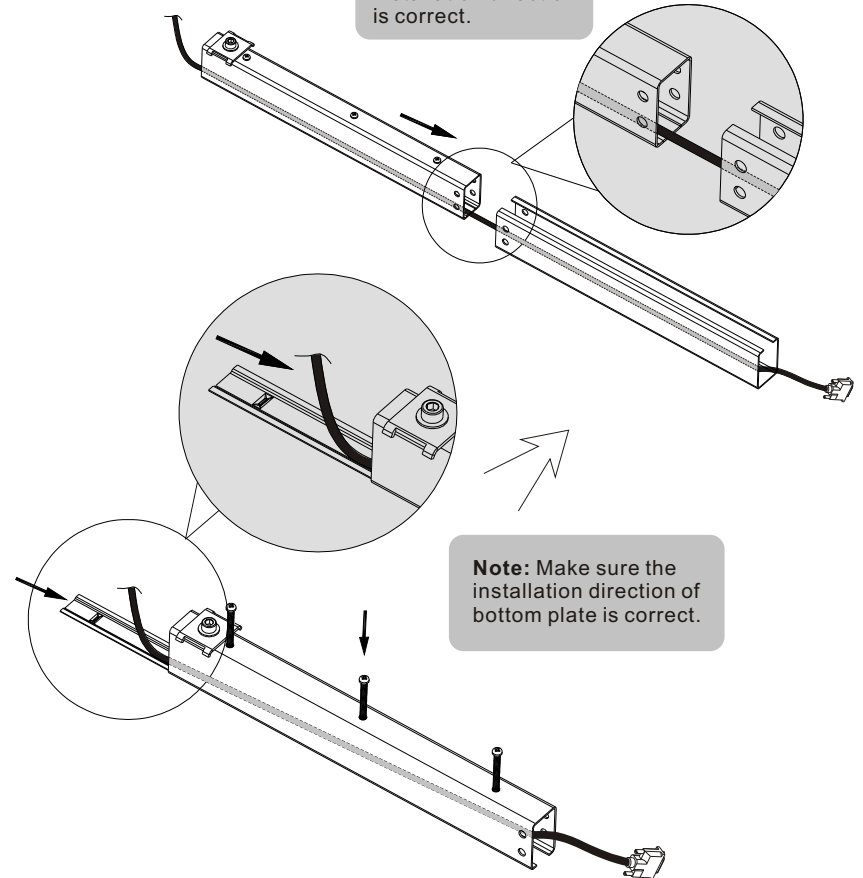
## 1. Cable Management



- Loosen three screws with a proper screwdriver. Remove the bottom plate from the inner rod.
- Run the cable through the correct channel.



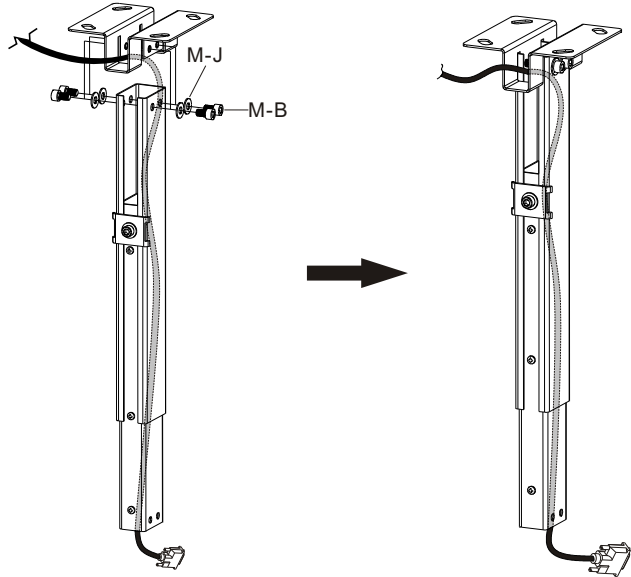
**Note:** Make sure the installation direction is correct.



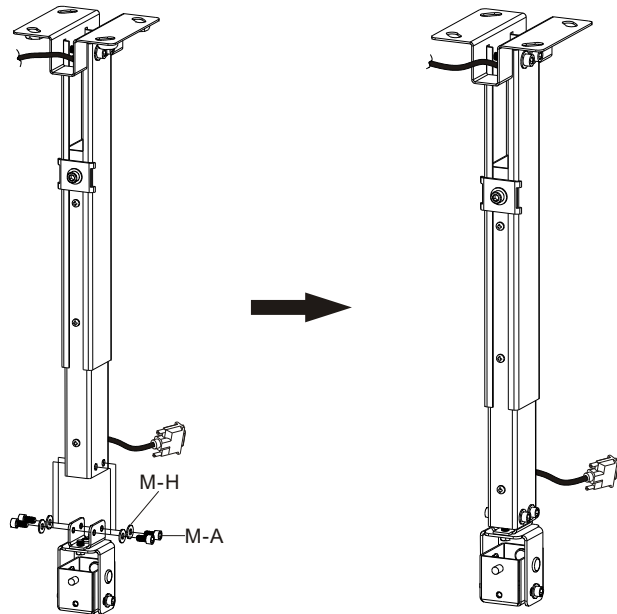
**Note:** Make sure the installation direction of bottom plate is correct.

Insert the bottom plate into the inner rod and tighten the three screws.

## 2. Installing the Projector Ceiling Mount Assembly

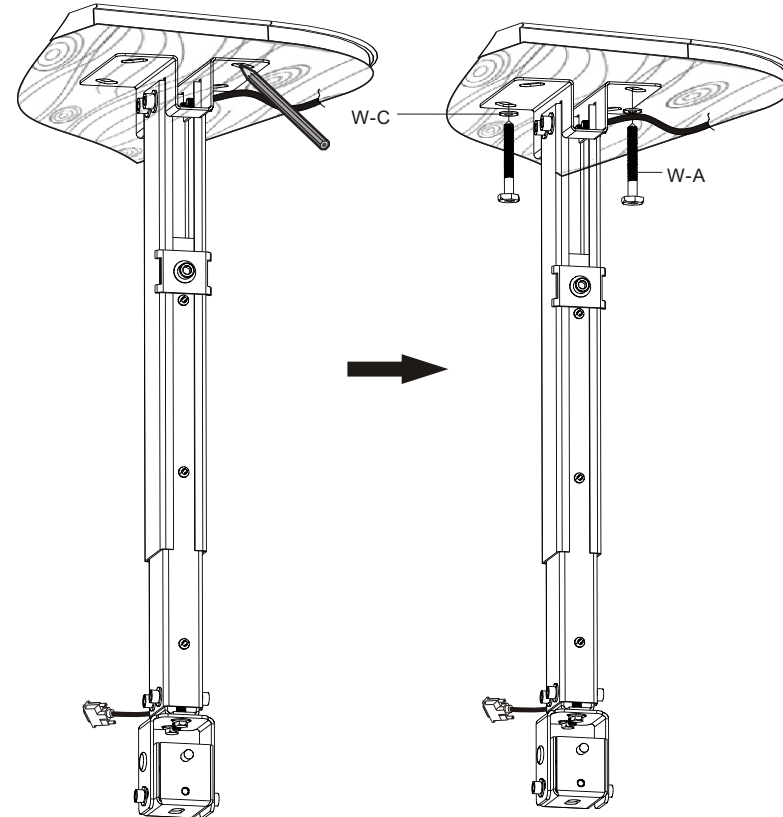
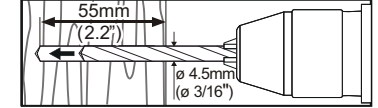
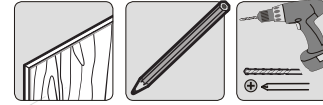


Attach the adjustable rod to the ceiling plate with four screws and four washers.

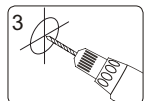
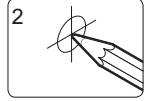


Insert the pivot bracket into the end of inner rod and secure with four screws and four washers.

## 3a. For Wooden Ceiling Mounting



1 Find and mark the exact location of mounting holes



3 Drill two pilot holes

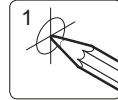
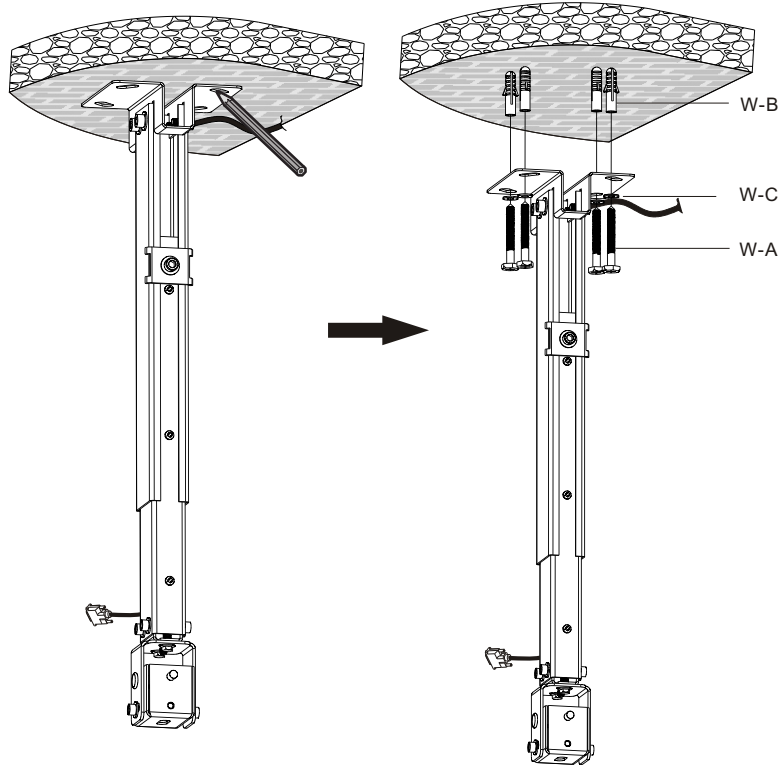
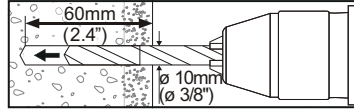


Screw the ceiling plate onto the ceiling

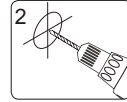
## ⚠ WARNING

- Installers are responsible to provide hardware for other types of mounting situations.
- Installers must verify that the supporting surface will safely support the combined weight of the equipment and all attached hardware and components.

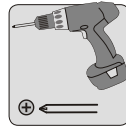
### 3b. For Solid Brick and Concrete Mounting



1  
Mark the exact location of mounting holes

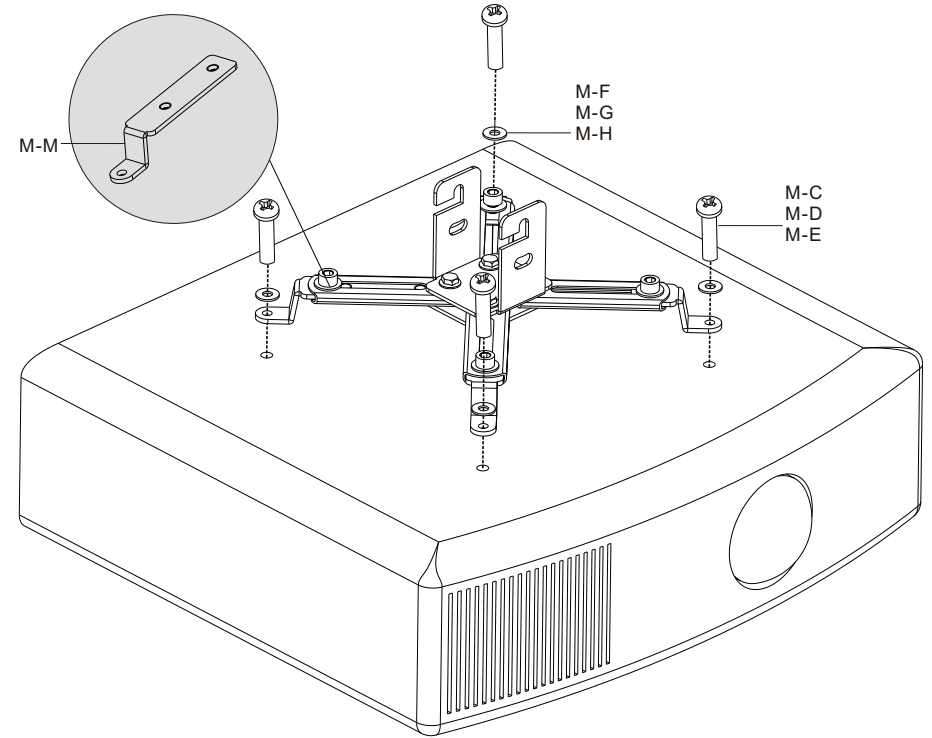


2  
Drill four pilot holes



Screw the ceiling plate onto the ceiling

### 4. Installing the Adapter Bracket



## ⚠ WARNING

Installers must verify that the supporting surface will safely support the combined weight of the equipment and all attached hardware and components.

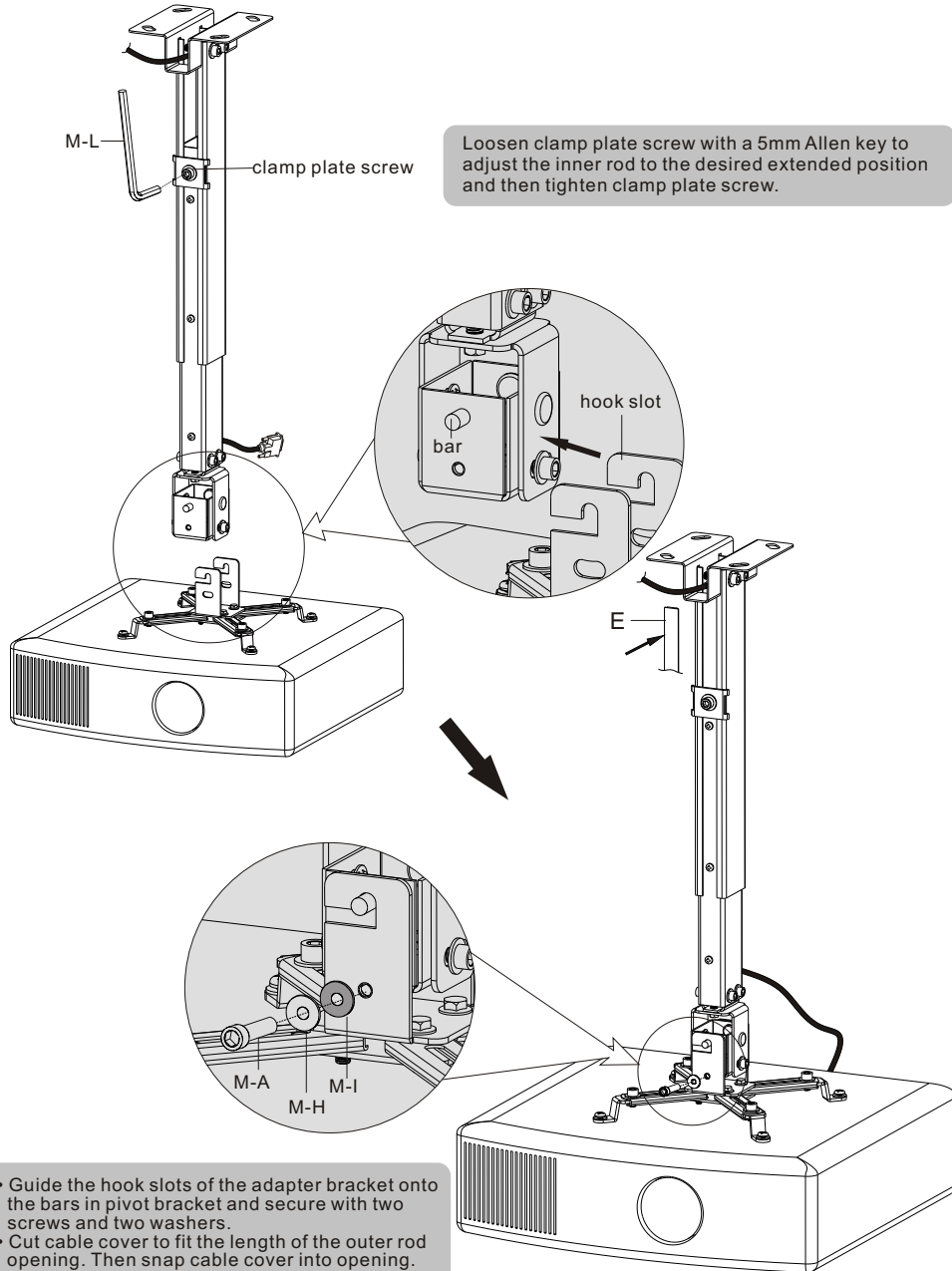
- Place the projector bracket as close as possible to the projector's center of gravity.
- Position the holes of arms over mounting holes.
- In case the mounting legs do not work for your projector model, please replace them with additional legs provided.

**Note:** If there are only three mounting holes using three arms of the adapter bracket.

**Important:** If the projector does not have at least three mounting holes, do not use this adapter bracket.

⚠ Tighten all screws but do not over tighten.

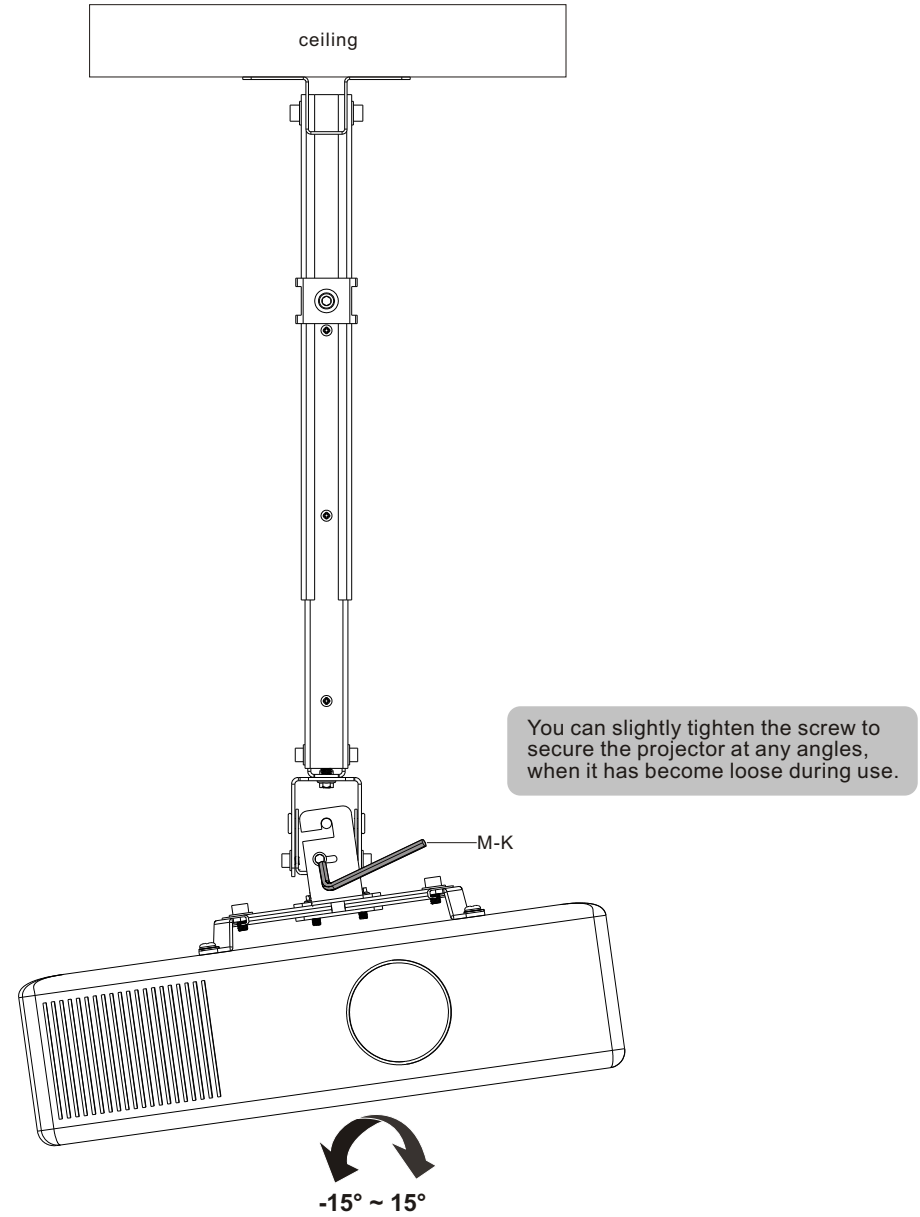
## 5. Installing the Projector



- Guide the hook slots of the adapter bracket onto the bars in pivot bracket and secure with two screws and two washers.
- Cut cable cover to fit the length of the outer rod opening. Then snap cable cover into opening.

**Important:** Make sure the projector is correctly hooked and the screws are locked safely before releasing the projector.

## 6. Adjustment



Adjust to the desired angle or tilt.

### Maintenance

- Check that the bracket is secure and safe to use at regular intervals (at least every three months).
- Please contact your dealer if you have any questions.