



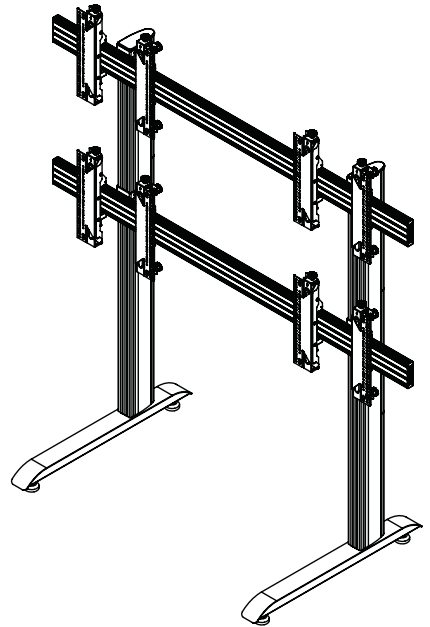
B-TECH AV MOUNTS™

SYSTEM X™

# BT8370

## UNIVERSAL VIDEOWALL STAND

### INSTALLATION GUIDE



#### SPECIFICATIONS

- Recommended screen size: 32" - 70"
- Max weight per screen: 50kg (110lbs)
- Suitable for landscape or portrait mounting
- Safety screws help prevent unauthorised removal of screens
- Integrated cable management
- All mounting hardware included

**Note:** This assembly manual covers different installations. Some parts or procedures shown may not be required for installation.

Please refer to  
page 5 for  
VESA® fixings



PER SCREEN

# CONTENTS

Installation Safety Notes.....	2
Parts List.....	4
Typical Installation.....	6
Installation Notes.....	6
Installation Instructions.....	8
Product Dimensions.....	23
B-Tech Contact Details.....	24

## INSTALLATION & OPERATING SAFETY INSTRUCTIONS



**CAUTION:** This mount is intended for use only with the maximum weights indicated. Use with equipment heavier than the maximum indicated may result in instability causing possible injury.

Do not attempt to install this product until all instructions and warnings have been read and properly understood. *Please keep these instructions for future reference.*

Please check carefully to make sure there are no missing or defective parts - defective parts must never be used. B-Tech AV Mounts, its distributors and dealers are not liable or responsible for damage or injury caused by improper installation, improper use or failure to observe these safety instructions. In such cases, all guarantees will expire. Check with the place of purchase for information on any guarantees, repairs or replacements of this product.

### General

B-Tech AV Mounts recommends that a professional AV installer or other suitably qualified person install this product. Great care must always be taken during installation as most AV equipment is of a fragile nature, possibly heavy and easily damaged if dropped.

If you do not fully understand the instructions or are not sure how to install this product safely, then please consult a professional for advice and/or to install this product for you. Failure to mount this product correctly may cause serious injury or death, both during installation and at any time thereafter.

Do not mount any AV equipment that exceeds the specific weight limit of the product you are installing. This weight limit will be clearly stated on each product and its packaging and will vary from product to product.

### Product location

Please pay careful attention to where this product is located. Designed for indoor use, this stand is suitable for public or home installation. Check load capacity of the floor prior to installation to ensure that it can support the combined weight of the equipment and hardware, some surfaces are not suitable for installation.

When verifying the stability of the structure, consider the following external factors: The strength of the floor, exposure to sudden and severe wind and danger arising from contact with people and / or objects (eg installations in passageways, emergency exits), if located in a public or frequently populated area ensure that the product is out of the immediate reach of people. When drilling holes it is essential to avoid contact with electrical cables and water or gas pipes contained within. Use of a good quality live wire detector and hidden object locator is therefore recommended. Only drill into structures when you are sure it is safe to do so.

### Fixing hardware

It is highly recommended that all fixing screws be used where supplied and that the purpose of all other fixing hardware is fully understood. In some cases more AV equipment fixing hardware will be supplied to accommodate different models of equipment and set up configurations. The installer must be satisfied that any supplied fixing hardware is suitable for each specific installation.

If any fixing screws or included hardware are deemed not sufficient for a safe installation then please consult a professional or your local hardware store.

### Hazard limitation

When routing cables take advantage of any built in cable management features that the product might provide and ensure that all cables are tidy and secure. Check to see that any moving aspect of the product can do so unhindered by any cabling. Some products have moving parts and the potential to cause injury through the crushing or trapping of fingers or other body parts. Particular attention to the nature of moving parts is required especially when assembling installing and adjusting during set up. Immediately after installation double-check that the work done is safe and secure. Double-check all necessary fixings are present and are of ample tightness.

### Operating & Maintenance

It is recommended that periodic inspections of the product and its fixing points are made as frequently as possible (no more than 6 months apart) to ensure that safety is maintained. B-Tech AV Mounts recommends that a suitably qualified person is used for the removal of this product. Please dispose of the product and packaging carefully and with consideration to the environment. If in doubt consult a professional AV installer or other suitably qualified person.

- CN B-Tech AV Mounts 建议本产品由专业AV安装人员或其他合格人员安装。 B-Tech AV Mounts 及它的代理商、经销商不对由于不恰当的安装而造成的损失或伤害负责。 本产品必须安装在合适的架构上，并仅用于不超过所标示的最大承重。
- CS Společnost B-Tech AV Mounts doporučuje provést instalaci tohoto produktu instalátora AV či jinak způsobilé osoby. Společnost B-Tech AV Mounts, její distributoři a prodejci nenesou prostřednictvím odborného odpov. édnost za škody nebo zranění zp. úšobená nevhodnou instalací. Tento výrobek je nutno umístit do vhodné konstrukce a používat jen po uvedené maximální výšce.
- DE B-Tech AV Mounts empfiehlt, dass dieses Produkt durch einen qualifizierten AV-Techniker oder eine andere Person mit geeigneter Qualifikation installiert wird. B-Tech AV Mounts, ihre Distributoren und Händler können nicht für durch fehlerhafte Montage verursachte Beschädigung oder Verletzung haftbar bzw. verantwortlich gemacht werden. Dieses Produkt muss auf eine geeigneten Untergrund montiert werden und darf nur bis zum angegebenen Höchstgewicht verwendet werden.
- EN B-Tech AV Mounts recommends that a professional audio video installer or other suitably qualified person install this product. B-Tech AV Mounts, its distributors and dealers are not responsible for or responsible for any damage or injury caused by improper installation. This product must be mounted on a suitable structure and it should only be used supporting the maximum weight indicated.
- ES B-Tech AV Mounts recomienda que un instalador de audio y video profesional u otra persona debidamente cualificada instalen este producto. B-Tech AV Mounts, sus distribuidores y concesionarios no se hacen cargo ni se responsabilizan de ningún daño o lesión provocados por una instalación inapropiada. Este producto se debe montar en una estructura adecuada y se debe utilizar soportando solamente hasta el peso máximo indicado.
- FR B-Tech AV Mounts recommande de confier l'installation de ce produit à un installateur AV professionnel ou à une autre personne dûment qualifiée. B-Tech AV Mounts, ses distributeurs et ses revendeurs ne sauraient être tenus responsables de tout dégât ou de toute blessure résultant d'une installation incorrecte. Ce produit doit être monté sur un support approprié et utilisé dans la limite du poids maximum indiqué.
- IT B-Tech AV Mounts consiglia di affidare l'installazione di questo prodotto a un installatore specializzato o ad altra persona adeguatamente qualificata. B-Tech AV Mounts, i suoi distributori e rivenditori non accettano alcuna responsabilità nei riguardi di eventuali danni o infortuni causati da un'errata installazione. Questo prodotto deve essere fissato a una struttura idonea e utilizzato unicamente sino al peso massimo indicato.
- JP B-Tech AV Mounts はAV設置の専門家または適合した知識を備えた人が製品を設置することを推奨します。B-Tech AV Mounts と販売店、取引先はこうした安全指針に従わない場合に随伴される製品の損傷や傷害に対する責任を負いません。場合によって製品が設置されるに適合していないところもあるので設置位置に特別な注意を傾けてください。この製品の位置に注意を傾けて設置に適合していない壁があるかを確認してください。指定した重さ制限を超過するAV装備を装着しないでください。
- KR B-Tech AV Mounts 는 AV 설치 전문가 또는 적합한 지식을 갖춘 사람이 제품을 설치하도록 권장합니다. B-Tech AV Mounts 와 판매점, 거래처는 이러한 안전 지침을 따르지 않을 경우에 수반될 제품의 손상이나 상해에 대한 책임을 지지 않습니다. 경우에 따라 제품이 설치되기에 적합하지 않은 곳들도 있으므로 설치 위치에 특별한 주의 기울여 주시기 바랍니다. 제품의 설치 위치에 주의를 기울여 확인하십시오. 지정된 무게 제한을 초과하는 AV 장비를 장착하지 마십시오.
- NL B-Tech AV Mounts adviseert om dit product te laten installeren door een professionele AV-instalateur of andere hiervoor gekwalificeerde persoon. B-Tech AV Mounts, haar distributeurs en dealers zijn niet aansprakelijk of verantwoordelijk voor schade of letsel die is veroorzaakt door onoordeelkundige installatie. Dit product moet worden gemonteerd aan een geschikte constructie, waarbij het aangegeven maximum gewicht niet mag worden overschreden.
- PL Firma B-Tech AV Mounts zaleca, aby ten produkt był instalowany przez profesjonalnych instalatorów AV lub inny odpowiednio przeszkolony personel. Firma B-Tech AV Mounts, jej dystrybutorzy i dealerzy nie ponoszą odpowiedzialności za uszkodzenia lub obrażenia ciała powstałe w wyniku nieprawidłowej instalacji. Niniejszy produkt musi być amontowany na odpowiedniej powierzchni, a podczas użytkowania nie wolno przekraczać podanego maksymalnego obciążenia.
- PT A B-Tech AV Mounts recomenda que a instalação deste produto seja efectuada por um instalador de AV instalador de AV profissional ou outra pessoa devidamente habilitada. A B-Tech AV Mounts e os seus distribuidores e concessionários não são responsáveis por danos ou lesões causados por uma instalação incorrecta. Este produto tem de ser montado numa estrutura adequada e utilizado somente até ao peso máximo indicado.
- RU Компания B-Tech AV Mounts рекомендует, чтобы установка данного изделия производилась инженером по установке аудио-видеотехники или другим специалистом с соответствующей квалификацией. Компания B-Tech AV Mounts ее дистрибьюторы и дилеры не несут ответственности за повреждения или травмы, полученные в результате неправильной установки.

توصي بي- تك للتجارة الدولية المحدودة بأن شخص محترف في تركيب ال AV او شخص مؤهل تأهيلا مناسباً لتركيبة هذا المنتج. بي- تك للتجارة الدولية، موزعها والتجار ليست عرضة أو مسؤولة عن الأضرار أو الإصابات الناجمة عن تركيب غير سليم، والاستخدام غير السليم أو عدم مراعاة هذه التعليمات للسلامة. يجب أن يتم تركيب هذا المنتج في بنية مناسبة ويجب استخدام فقط لدعم الحد الأقصى للوزن المشار إليه.

# BT8370 PARTS LIST

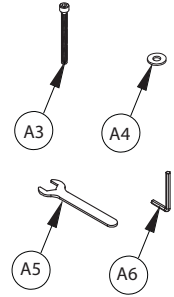
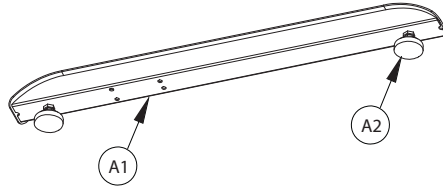
PLEASE KEEP THIS FOR FUTURE REFERENCE

Due to the multiple installations available the quantity for each option below is dependent on the mount ordered. All these components can be moved or carried by manpower. Please be careful to avoid injury when handling these components before & during the installation or when uninstalling the mount.

## A BASE

BT8380-BASE

ITEM	PART NAME	QTY
A1	BASE	1
A2	LEVELLING FOOT	2
A3	M8 x 90mm SCREW	4
A4	M8 WASHER	4
A5	SPANNER	1
A6	6AF HEX KEY	1



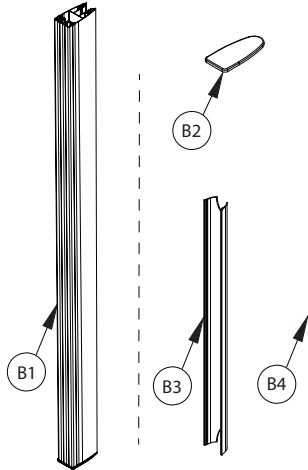
## B COLUMN

BT8380-180  
Height: 180cm

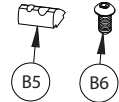
BT8380-060  
Height: 60cm

ITEM	PART NAME	QTY PER PACK
B1	VERTICAL COLUMN	1
B2	END CAP*	1
B3	CABLE COVER	3
B4	PLASTIC SLOT INSERT	4
B5	M8 SLIDING NUT**	2
B6	M8 x 12mm SCREW*	2
B7	COLUMN JOINER**	4
B8	GRUB SCREW**	16
B9	M6 x 10mm HEX BOLT**	8
B10	3AF HEX KEY**	1

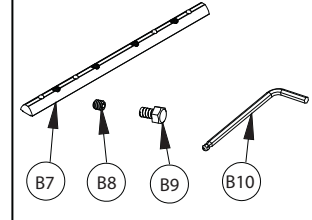
\*Supplied with the BT8380-180  
\*\*Supplied with the BT8380-060



Optional  
\*To fix shelves  
to a column



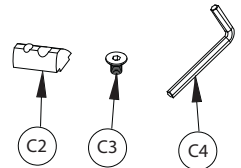
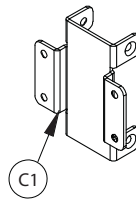
### \*\*Column Extension Kit



## C JOINING PLATE

BT8380-JPK

ITEM	PART NAME	QTY PER PACK
C1	JOINING PLATE	1
C2	M8 SLIDING NUT	8
C3	M8 x 12mm SCREW	4
C4	5AF HEX KEY	1



## D MOUNTING RAIL

BT8390-050

Length: 50cm

BT8390-070

Length: 70cm

BT8390-100

Length: 100cm

BT8390-150

Length: 150cm

BT8390-175

Length: 175cm

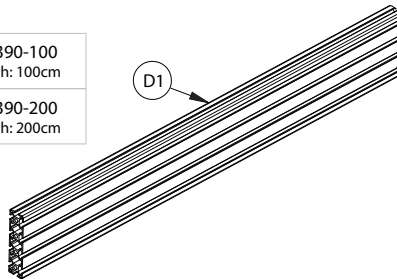
BT8390-200

Length: 200cm

BT8390-300

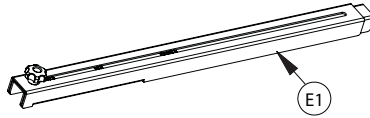
Length: 300cm

ITEM	PART NAME	QTY PER PACK
D1	MOUNTING RAIL	1
D2	END CAP	2



**(E) SPACER**

BT8390-SP



ITEM	PART NAME	QTY PER PACK
E1	SPACER	1

**INSTALLATION TOOLS  
REQUIRED**

Crosshead screwdriver 10mm Spanner

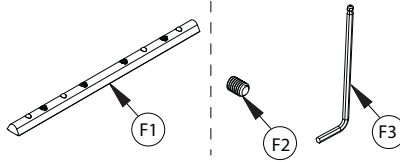


Level Knife



**(F) OPTIONAL  
RAIL EXTENSION KIT**

BT8390-EXT



ITEM	PART NAME	QTY
F1	JOINING BAR	6
F2	M6 x 8mm GRUB SCREW	24
F3	3AF HEX KEY	1

**(G) SCREEN INTERFACE KIT**

ITEM	PART NAME	QTY
G1	INTERFACE ARM - RIGHT	1
G2	INTERFACE ARM - LEFT	1
G3	M6 x 8mm HEX SCREW	2
G4	ADJUSTABLE BRACE	1
G5	M5 x 6mm SCREW	2
G6	M6 x 35mm SCREW	2
G7	3AF HEX KEY	1
G8	4AF HEX KEY	1
G9	5AF LONG HEX KEY	1

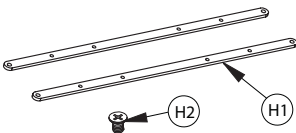
ITEM	SCREEN FIXING KIT	QTY
A	M4 x 12mm SCREW	4
B	M4 x 25mm SCREW	4
C	M4 x 40mm SCREW	4
D	M6 x 16mm SCREW	4
E	M6 x 25mm SCREW	4
F	M6 x 40mm SCREW	4
G	M8 x 16mm SCREW	4
H	M8 x 25mm SCREW	4
I	M8 x 40mm SCREW	4
J	MULTIWASHER	4
K	5mm SPACER	4
L	13mm SPACER	4
M	24mm SPACER	4
N	M6 WASHER	4

**Interface Arms**

Fixed	Tilt	Micro-Adjustment
<p>BT8390-VESA200F</p>	<p>BT8390-VESA200T</p>	<p>BT8390-VESA400MAF</p>
<p>BT8390-VESA400F</p>	<p>BT8390-VESA400T</p>	<p>BT8390-VESA400MAP</p>
<p>Max load: 50kg (110lbs) Per Screen</p>		

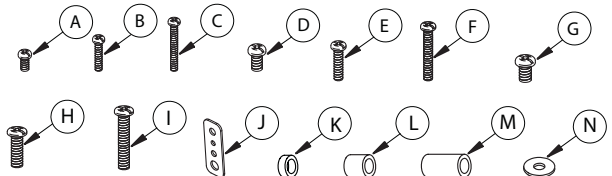
**(H) OPTIONAL  
INTERFACE ADAPTOR ARMS**

BT7564	BT7565	BT7566
VESA 600mm	VESA 800mm	VESA 900mm



ITEM	PART NAME	QTY PER PACK
H1	ADAPTOR ARMS	2
H2	M8 x 12mm SCREW	4

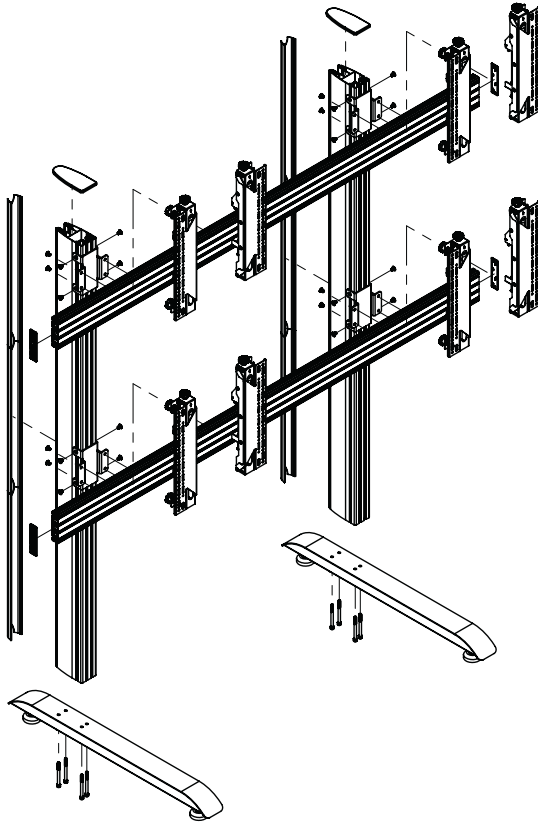
**Screen Fixing Kit**



Please refer to individual parts list for more information

# TYPICAL INSTALLATION

2 x 2 Videowall installation with VESA 400 Micro-Adjustment arms



## INSTALLATION TOOLS REQUIRED

Crosshead screwdriver



Spanner



Knife/Cutter



Level (Optional)



## INSTALLATION NOTES

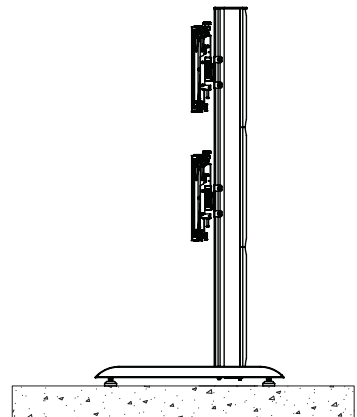
### FLOORSTAND STABILITY



- Install stand on level ground
- Two person assembly

When verifying the stability of the structure, consider the following external factors:

1. The strength of the floor.
2. Exposure to sudden and severe wind.
3. Danger arising from contact with people and / or objects.  
(eg installations in passageways, emergency exits).

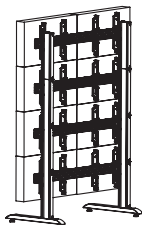


# BT8370 MAX LOAD CONFIGURATIONS

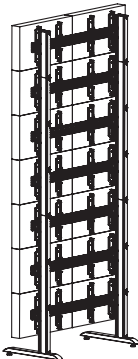
## MAX. COLUMN HEIGHT 4.2M

**Note:** Screen weight must be evenly spread up the vertical column

**NOTE:** Larger installs may require the use of a BT8380-WTB



Column height: Up to 2.4m  
Max load per screen: 50kg  
Max load per vertical column: 200kg

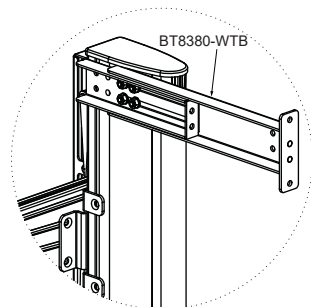


Column height: 2.4m up to 4.2m  
Max load per screen: 25kg  
Max load per vertical column: 150kg

## Wall Tie-Back

### BT8380-WTB

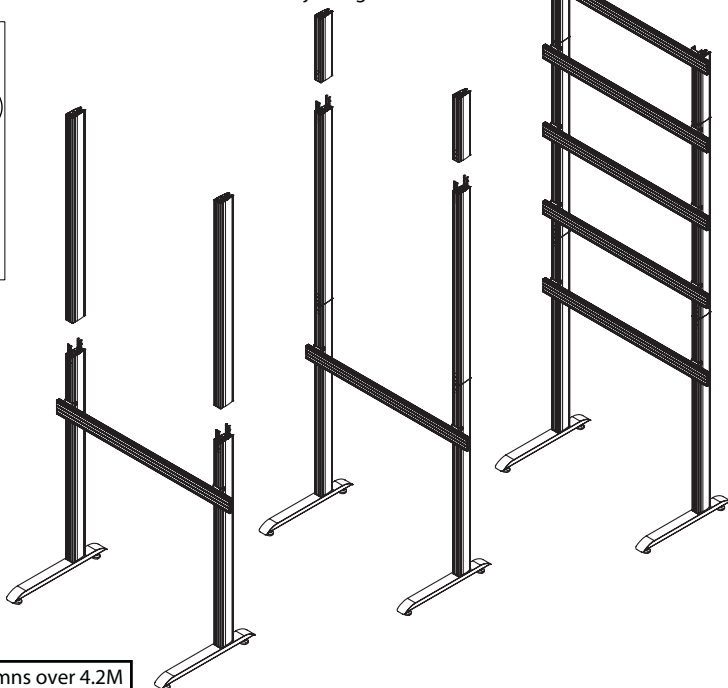
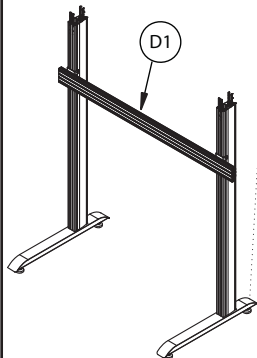
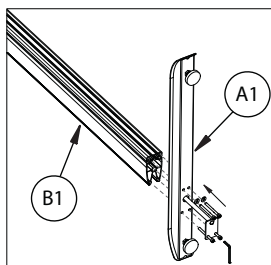
For larger installations a BT8380-WTB Wall tie-back can be used to secure the stand / column to a wall.



## INSTALLING COLUMNS WITH A HEIGHT OVER 2.4M

B-Tech recommends when extending the vertical columns over 2.4m to fix *item B1* to *item A1*, connect columns with *item D1* and build up, rather than building the product layed down on the floor (as shown in the assembly instructions).

- i. Fix a column to each base and attach the first rail to make the structure stable.
- ii. Attach the next vertical columns one at a time and fix with the joining bars.



**Warning!** Do not extend columns over 4.2M

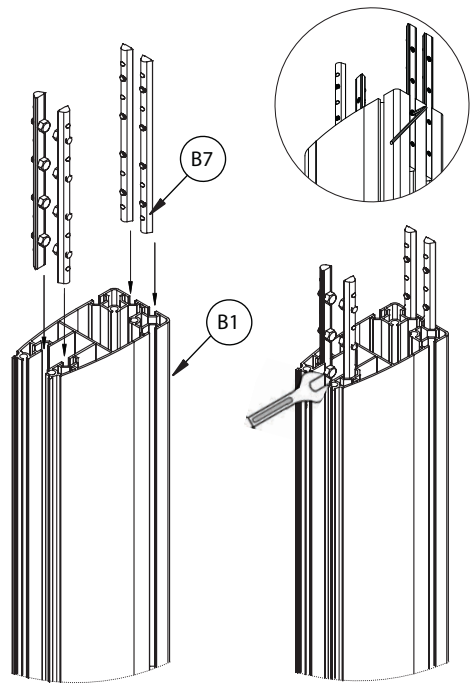
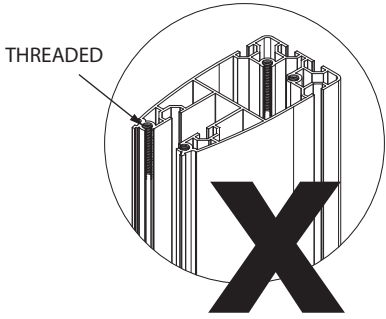
# OPTIONAL EXTENDING THE COLUMNS

## EXTEND VERTICAL COLUMNS

i. Insert *item B7* halfway into the non-threaded end of *item B1*.

The two joining bars with *item B8* go in the front of the column and the 2 joining bars with *item B9* go in the back.

**IMPORTANT:** Joining bars should be inserted into the non-threaded end of the 180cm column.



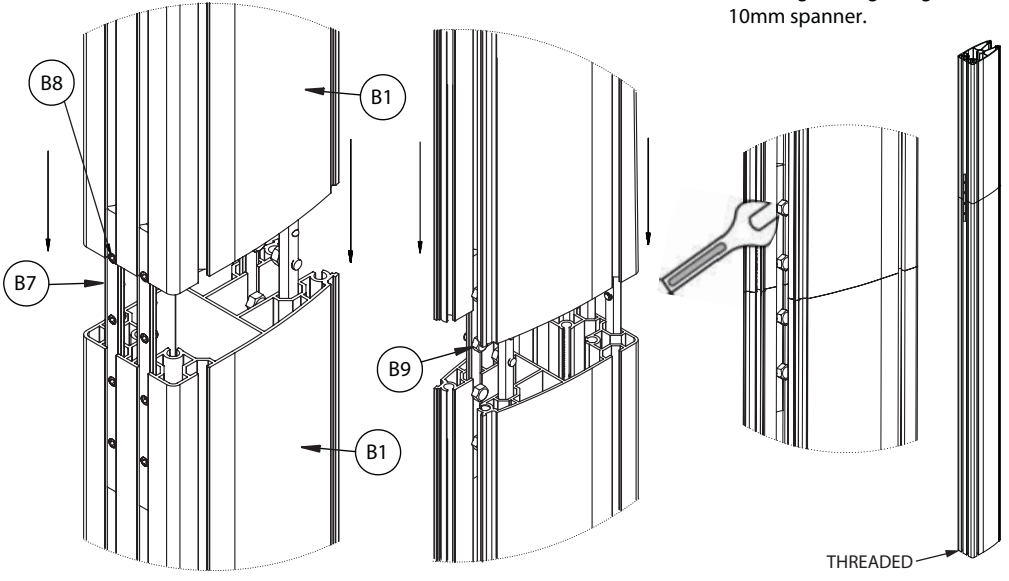
### Front of Column

### Back of Column

ii. The two joining bars with grub screws (*item B8*) in the front of the column.

The two joining bars with hex bolts (*item B9*) in the rear of the column.

Tighten hex bolts by hand. Finish tightening using a 10mm spanner.





# OPTIONAL EXTENDING THE MOUNTING RAIL

## Combine Mounting Rails together using the BT8390-EXT

- i. On the intended front facing side of *item D1* insert 4 x *item F1* half-way into each slot, on the back side insert 1 x *item F1* into the top slot and 1 x *item F1* into the third slot ( see fig. 1). Loosely fasten 2 *item F2* on each joining bar fixing it to the mounting rail.
- ii. Slide another *item D1* onto the joining bars and tighten all the grub screws, combining the rails securely.

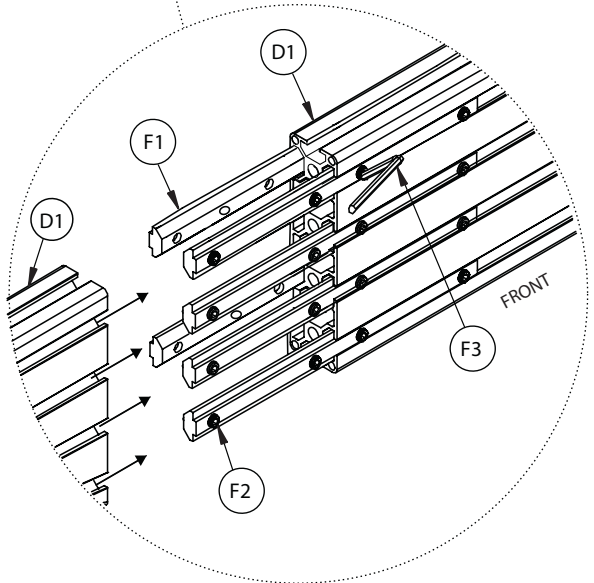
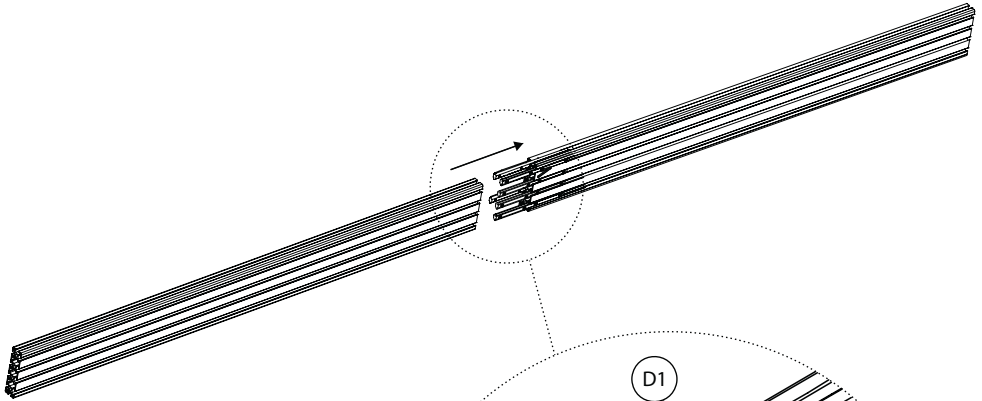
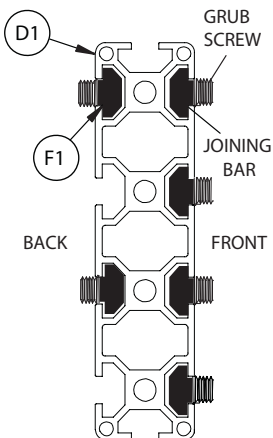


fig. 1



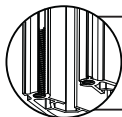
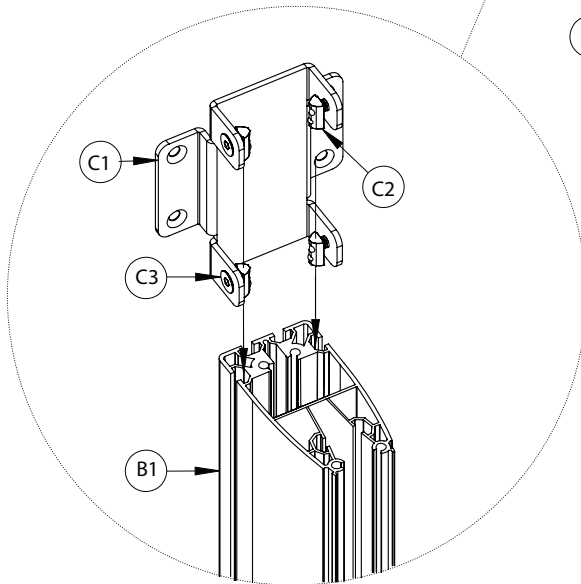
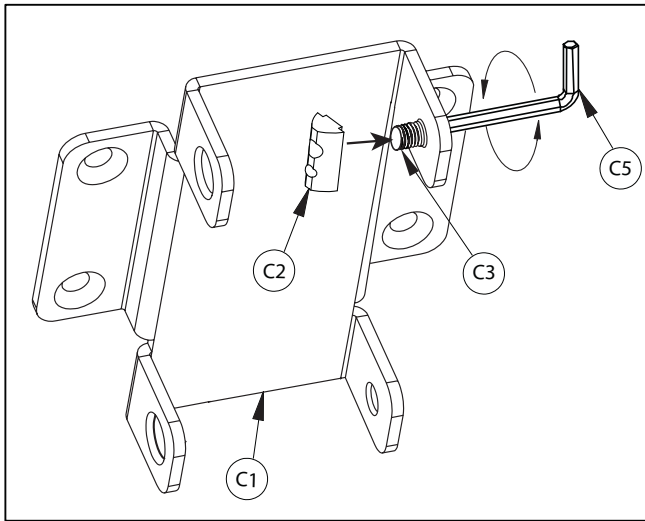
Combined Rails



# INSTALLATION INSTRUCTIONS

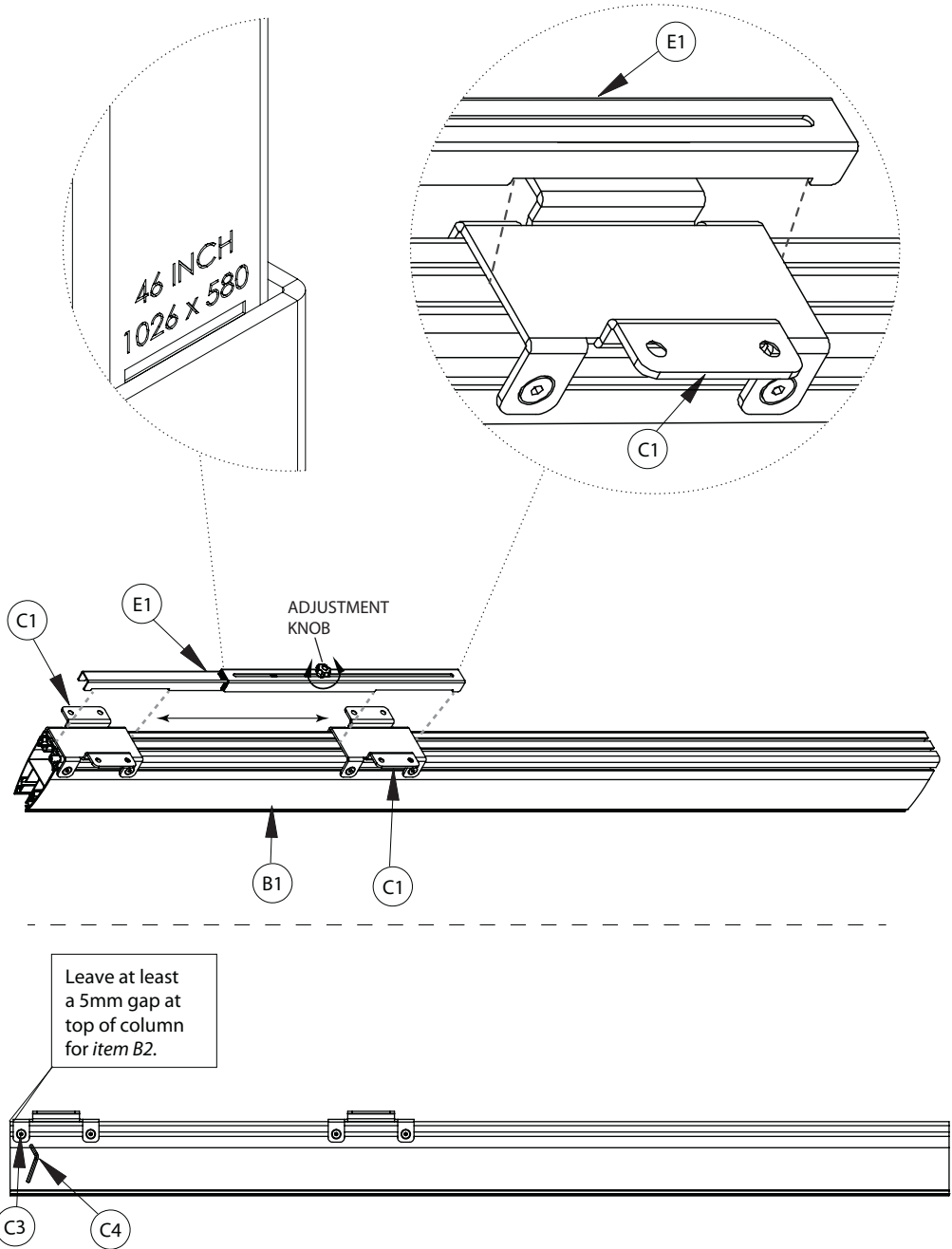
## 1. ATTACH JOINING PLATES TO COLUMNS

- i. On item C1, assemble 4x item C3 to item C2.
- ii. Lay the column on the floor and fit item C1 to item B1.



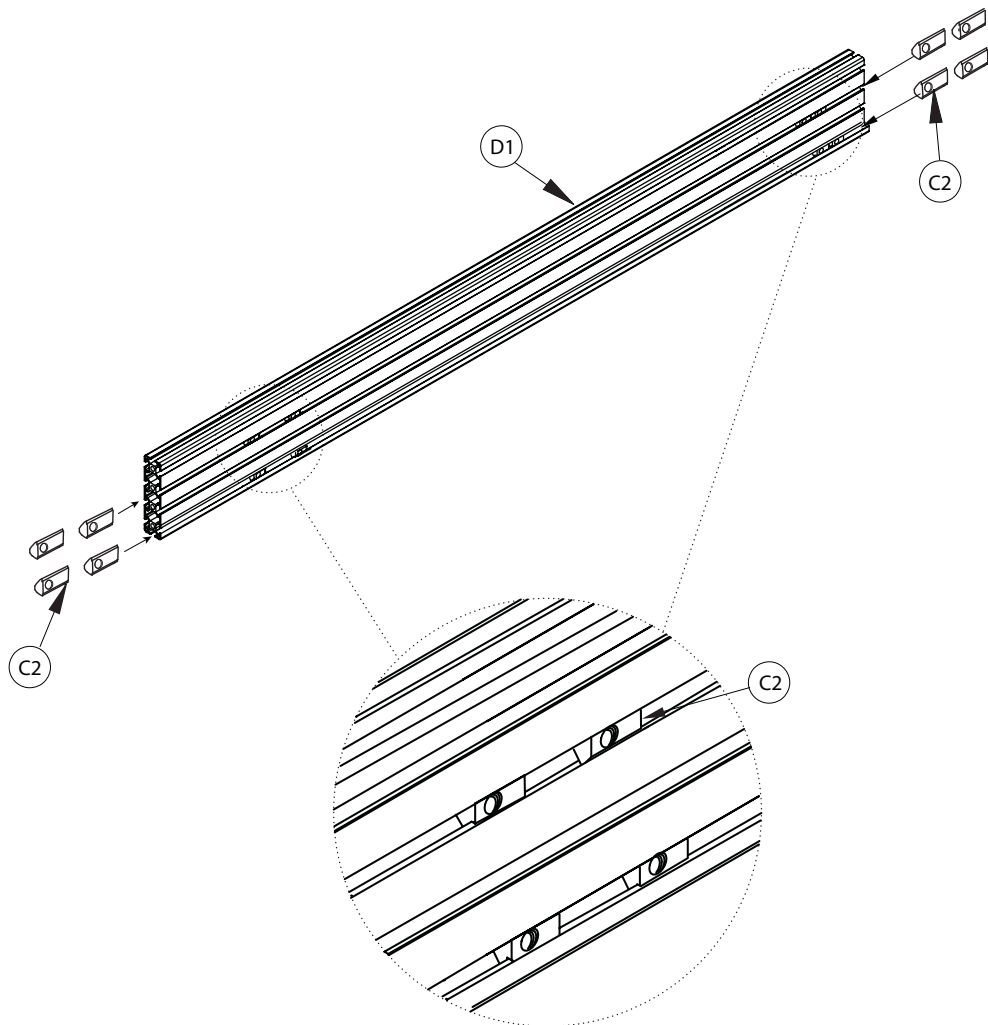
**IMPORTANT:**  
Make sure the end with M8 threads  
are at the bottom of the columns.

iii. Use *item E1* to set the distance between *items C1* on *item B1* according to the screen size.  
Once set, tighten *item C3*.



## 2. INSERT SLIDING NUTS INTO MOUNTING RAILS

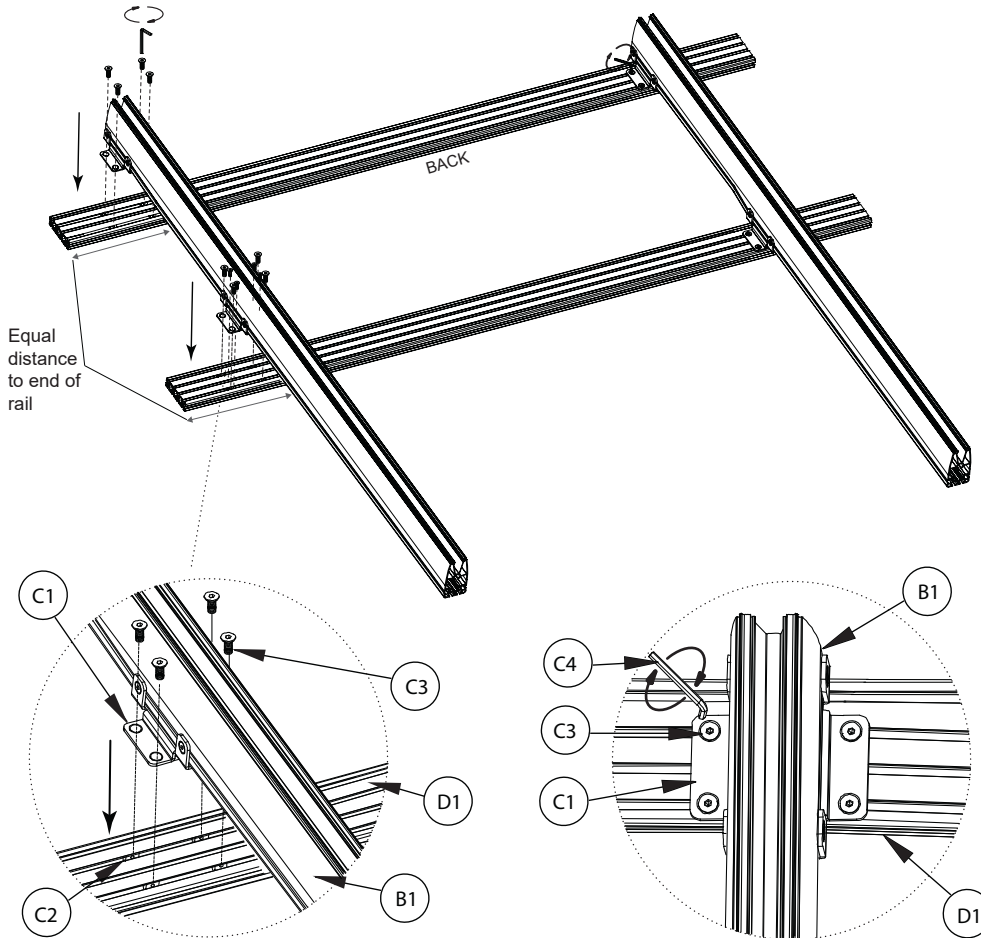
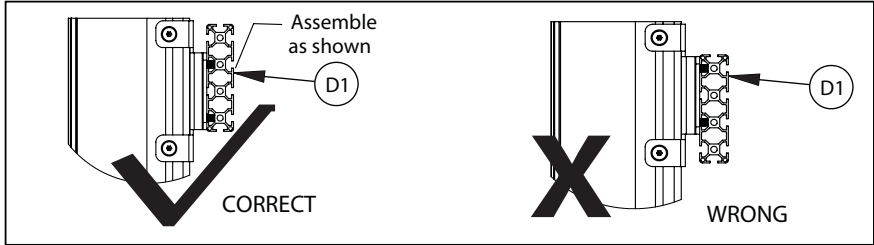
Lay the rail on the floor and for each *item C1* used, insert 4x *item C2* into *item D1*.  
Two in the 2nd channel and two in the bottom channel.



### 3. ATTACH COLUMNS TO RAILS

On the floor, place *item B1* onto *item D1*. Attach *item C1* to *item D1* by fastening *item C3* into the inserted *items C2*.

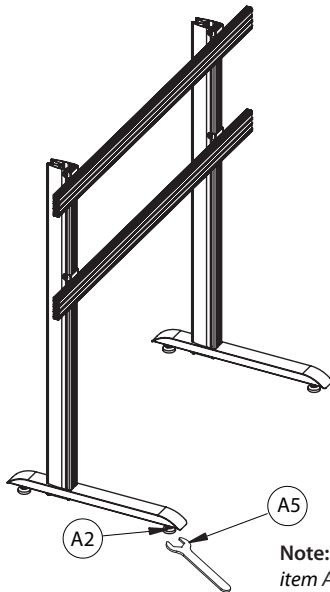
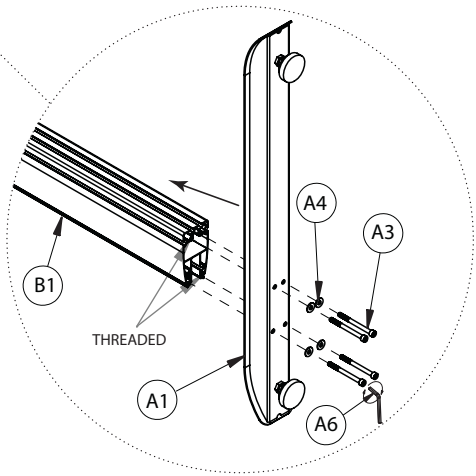
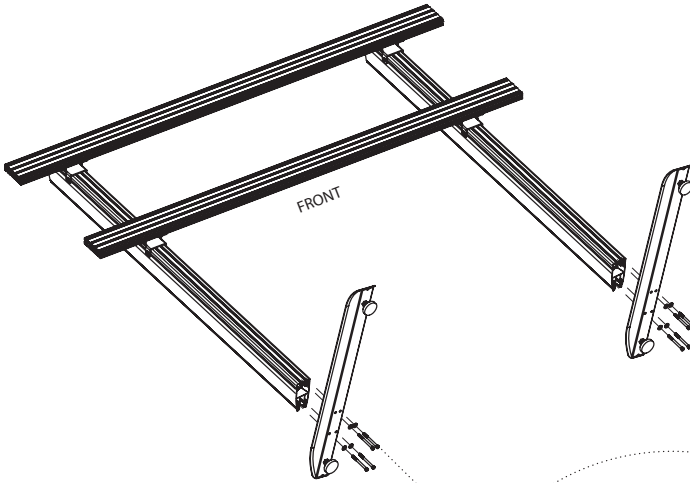
**Note:** To ensure straight assembly of *item B1* make sure the distance of *items C1* to the end of *item D1* are set the same on each rail.



## 4. ASSEMBLE BASES TO COLUMNS

Attach *item A1* to *item B1* using *items A3 & A4*.

Once bases are fixed to columns, return stand to upright position.

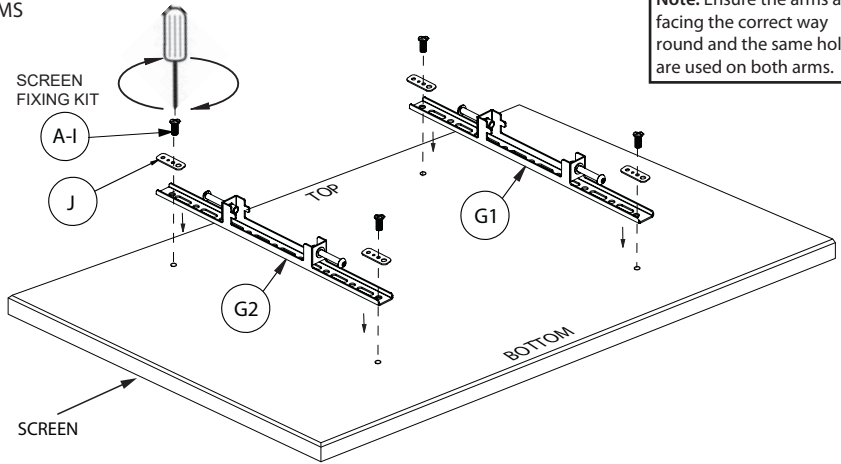


**Note:** If necessary use *item A5* to adjust *item A2*.

# 5. ATTACH INTERFACE ARMS TO SCREEN

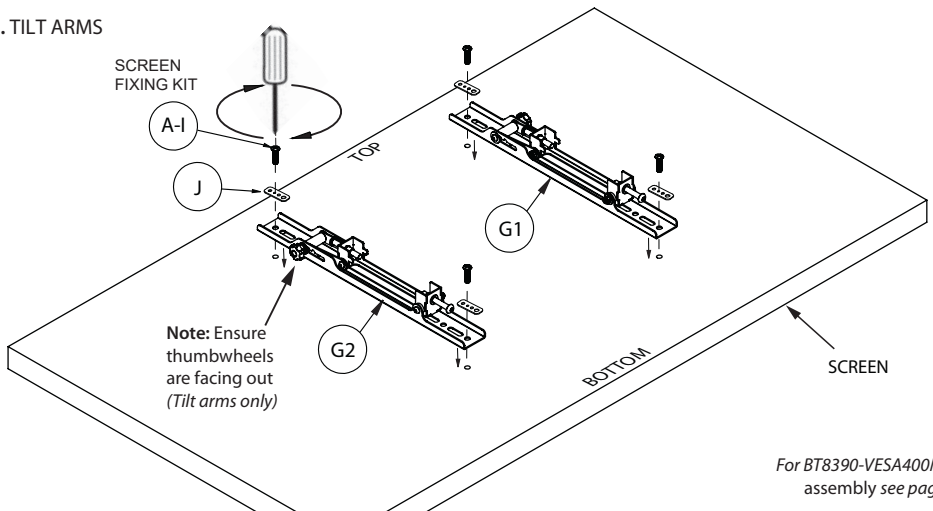
Fix items G1 & G2 to the rear of the screen using items A-M.

## A. FIXED ARMS



**Note:** Ensure the arms are facing the correct way round and the same holes are used on both arms.

## B. TILT ARMS

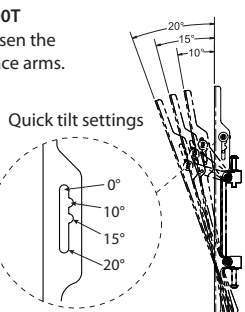
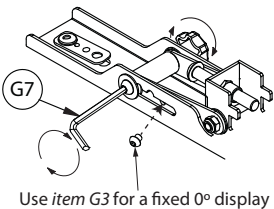


**Note:** Ensure thumbwheels are facing out (Tilt arms only)

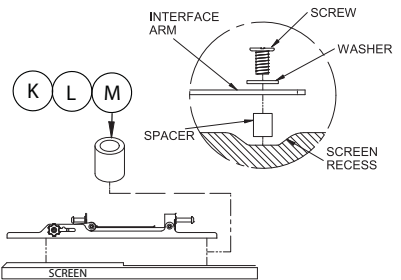
For BT8390-VESA400MAF assembly see page 16

### BT8390-VESA200T / BT8390-VESA400T

For tilt adjustment, use item G7 to loosen the screw and thumbwheel on the interface arms. Re-tighten screw to fix tilt angle.

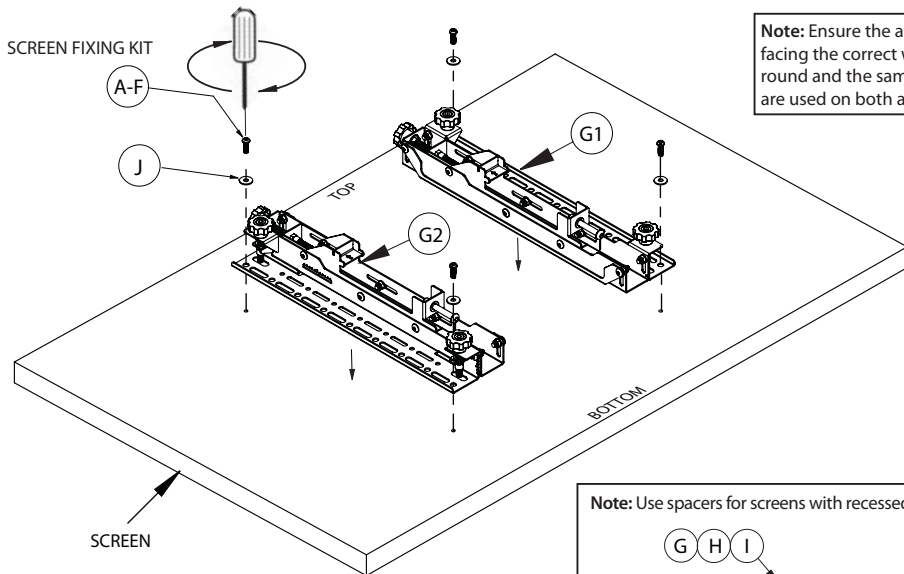


### Use spacers for screens with recessed fixings

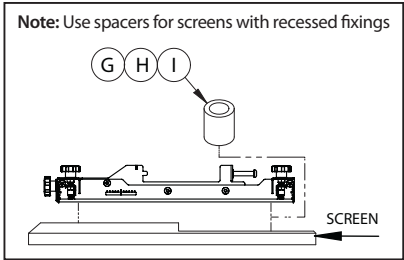


### C. MICRO-ADJUSTMENT ARMS (BT8390-VESA400MAF)

Attach items G1 & G2 to the back of the screens using items A-F.

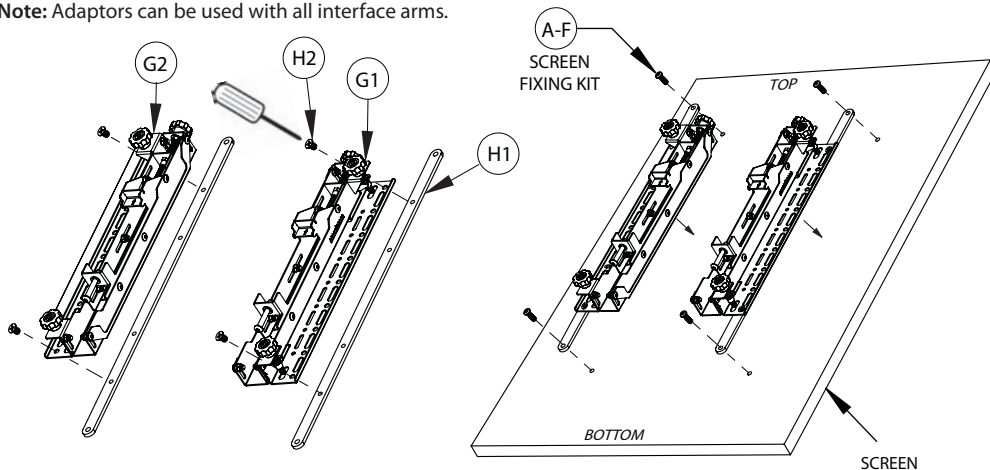


**Note:** Ensure the arms are facing the correct way round and the same holes are used on both arms.



### OPTIONAL ADAPTOR ARMS

**Note:** Adaptors can be used with all interface arms.



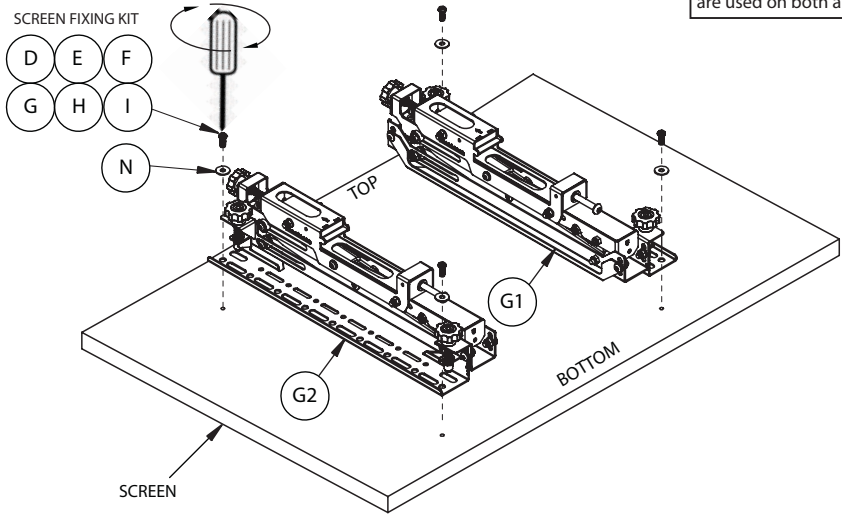
**NOTE:** Portrait mounting shown.  
For landscape mounting attach adaptor arms horizontally -



## D. POP-OUT MICRO-ADJUSTMENT ARMS (BT8390-VESA400MAP)

i. Attach *items G1 & G2* to the back of the screen using *items D-I*.

**Note:** Ensure the arms are facing the correct way round and the same holes are used on both arms.



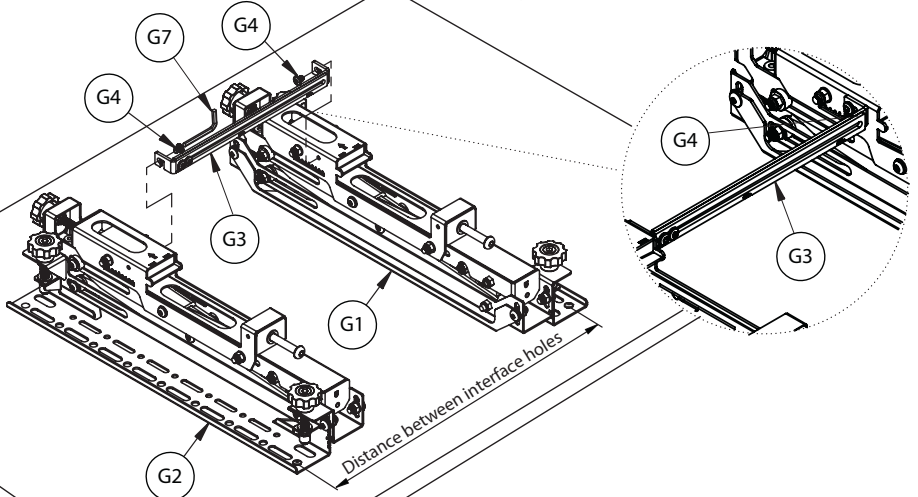
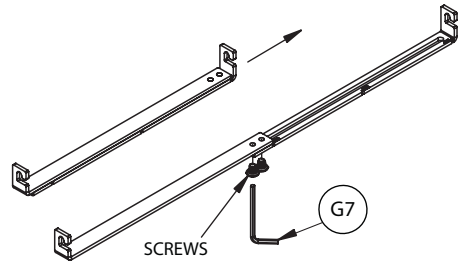
ii. Connect interface arms with the adjustable brace.

Extend *item G3* and fix at desired length by tightening the 2 screws.

The 3 notches show the position for interface fixings at 400mm, 500mm and 600mm.

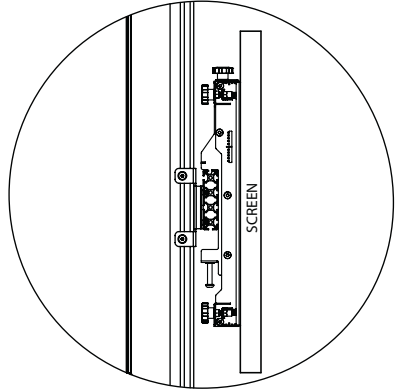
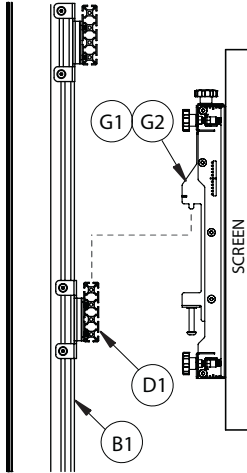
**Note:** The adjustable brace is only suitable for horizontal VESA fixings from 400 - 600mm.

iii. Fix *item G3* inbetween *items G1 & G2* for easy lateral adjustment of the screen.



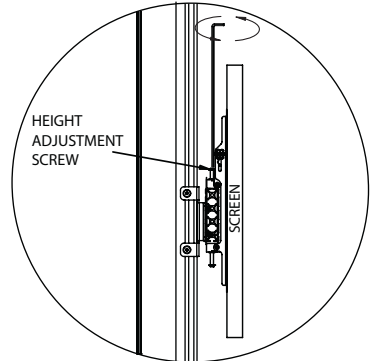
## 6. MOUNT SCREEN TO RAIL

i. Hook the first screen onto bottom rail of the stand.



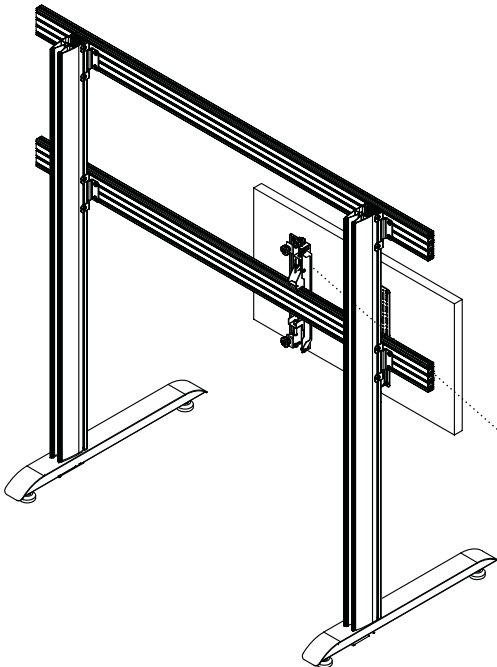
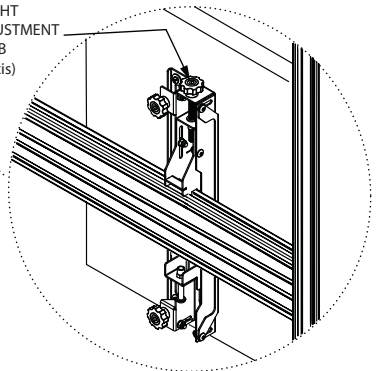
ii. With a level, align the screen to the floor using the height adjustment screws / knobs on top of the interface arms.

### A & B FIXED & TILT ARMS

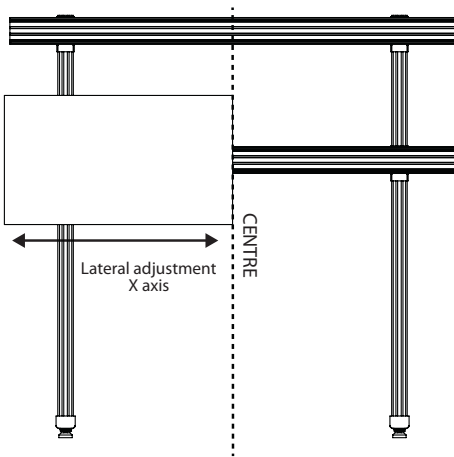


### C & D MICRO-ADJUSTMENT ARMS

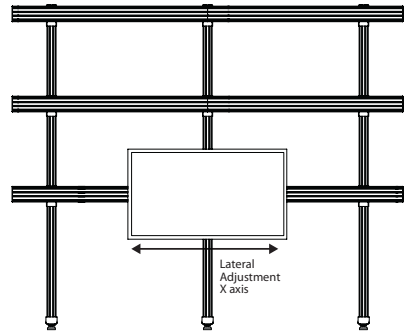
HEIGHT  
ADJUSTMENT  
KNOB  
(Y Axis)



iii. Laterally adjust screen by hand.



3 x 3 Video wall installation example

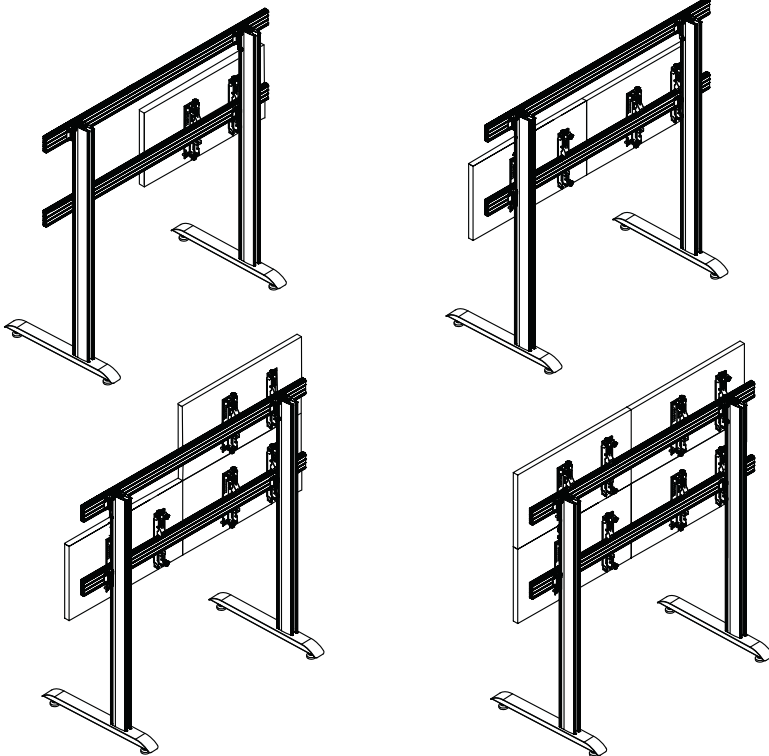


**Note:** If mounting 3 or more screens across, mount the first screen centrally onto the bottom rail.

## 7. HOOK ON THE REMAINING SCREENS

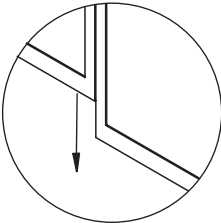
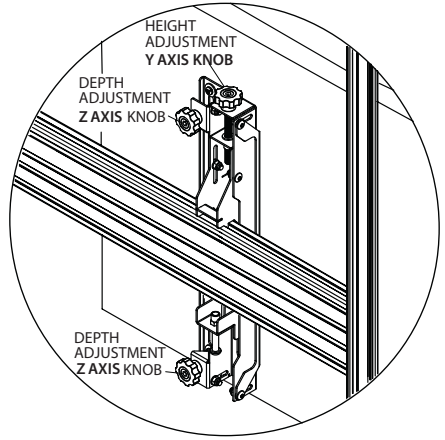
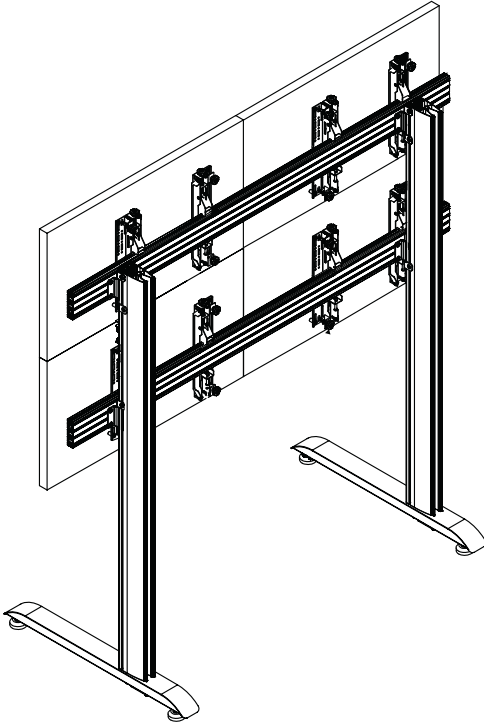
After mounting each screen use the Y & Z micro-adjustment knobs on the interface arms to level and align screen\* (see next page).

\*Only applicable when using the BT8390-VESA400MAF or BT8390-VESA400MAP interface arms.

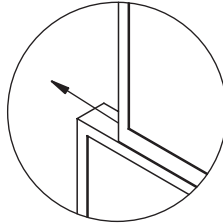


Using a level, align the screen to the floor using the Y axis adjustment knobs.

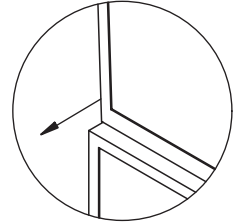
Use the Z axis knobs to ensure the screen is perpendicular with the floor.



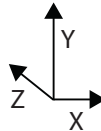
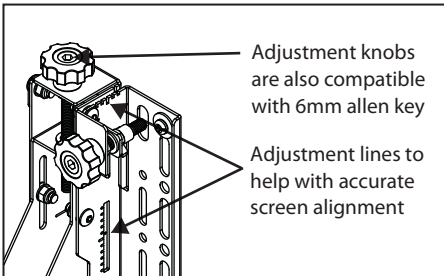
**Height Adjustment (Z axis knobs)**  
to align bottom/top of screens



**Lateral Adjustment**  
to align sides of screens



**Depth Adjustment (Z axis knobs)**  
to align front of screens



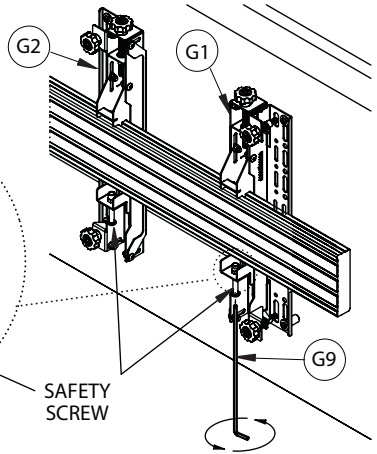
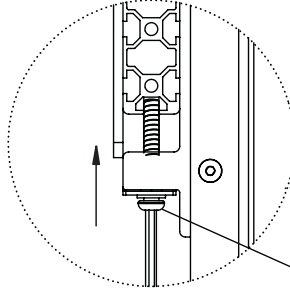
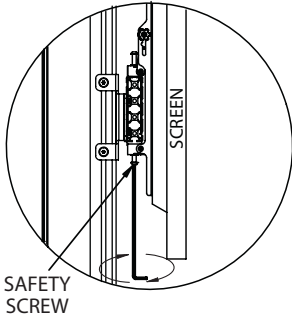
**BT8390-VESA400MAF**  
Total Y axis adjustment is +/-25mm  
Total Z axis adjustment is 20mm

**Note:** Light pressure in the desired direction of travel will assist in the adjustment of knobs when using heavier screens

**BT8390-VESA400MAP**  
Total Y axis adjustment is +/-20mm  
Total Z axis adjustment is 20mm

## 8. SECURE SCREENS

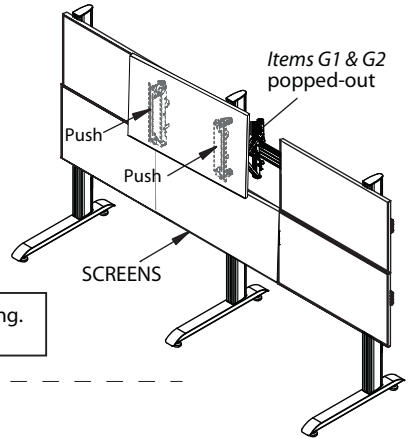
Once screens are aligned, tighten the safety screws on the bottom of *items G1 & G2*.



## 9. SERVICING SCREENS (POP-OUT ARMS ONLY)

Push centrally at the left and right of the screen to pop-out the mount. The screen will rest in the 'open' position for servicing.

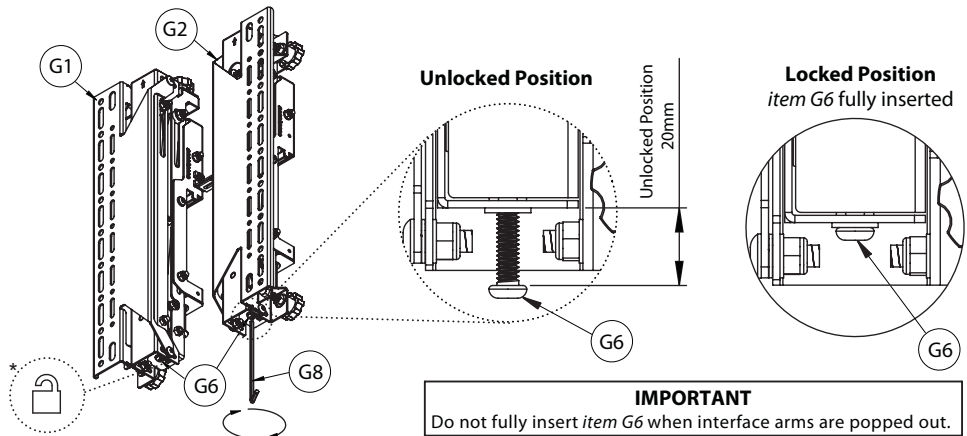
**Note:** Ensure pop-out function is not disabled (see below).



**IMPORTANT** Be careful not to damage the screen when pushing. Keep hold of the screen as it moves outwards.

### Optional Disabling Pop-Out Function

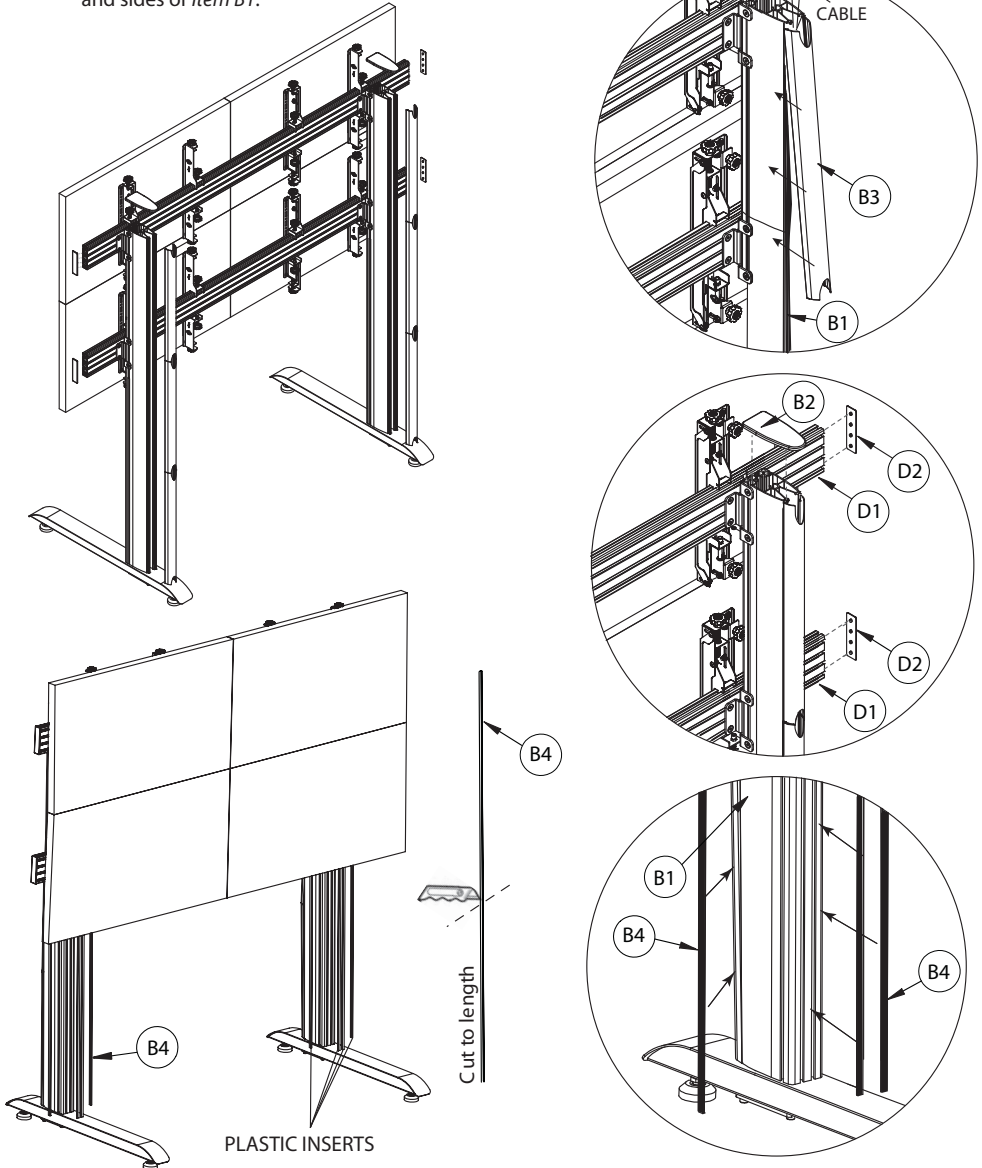
To prevent interface arms from popping out, fully insert and tighten *item G6* at the padlock\* symbol at the bottom of *items G1 & G2*.



**IMPORTANT**  
Do not fully insert *item G6* when interface arms are popped out.

## 10. ADD END CAPS AND COVERS

- i. After screen cables are connected and routed down the back of *item B1*, partially clip on the cable management *item B3*, this allows easy removal if more cables need adding. Once satisfied all cables are fitted, clip the covers on fully.
- ii. Fit *items B2* to the top of *item B1*.
- iii. Fit *items D2* to the ends of *item D1*.
- iv. With a knife, cut to length *item B4* and insert to the front and sides of *item B1*.



**WARNING!** Contact a professional AV installer or other suitably qualified person for any further operation or removal of equipment after installation

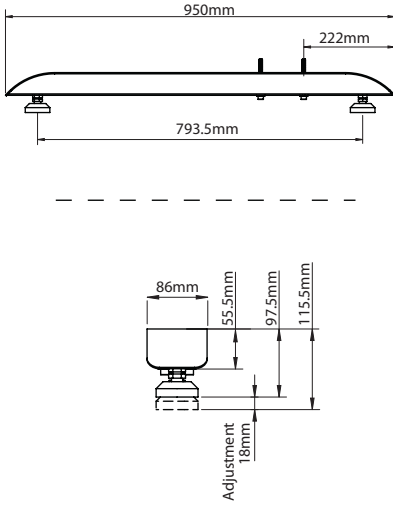
# BT8370 DIMENSIONS

PLEASE KEEP THIS FOR FUTURE REFERENCE

Depending on installation requirements, the BT8370 Videowall Stand will feature a selection of the following products.

## BASE

BT8380-BASE



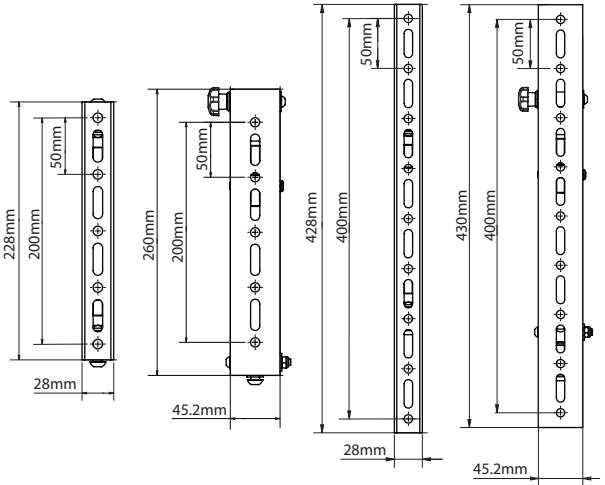
## INTERFACE ARMS

BT8390-VESA200F

BT8390-VESA200T

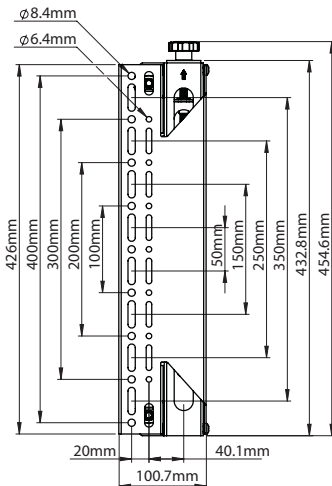
BT8390-VESA400F

BT8390-VESA400T

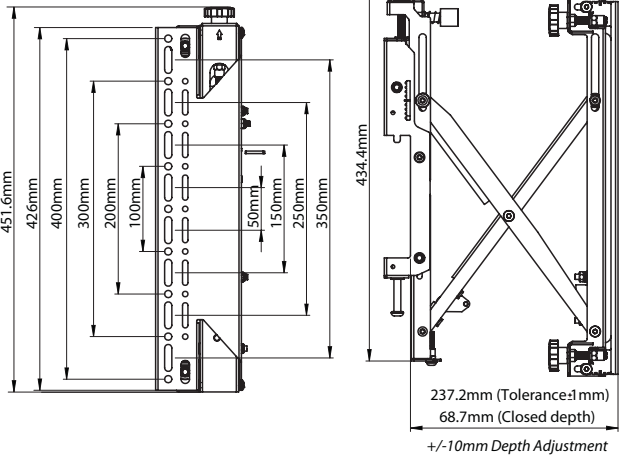


## INTERFACE ARMS

BT8390-VESA400MAF



BT8390-VESA400MAP





**CONTACT:**

[info@btechavmounts.com](mailto:info@btechavmounts.com)

©2021 B-Tech International Design and Manufacturing Ltd. All rights reserved.

B-Tech AV Mounts is a division of B-Tech International Design and Manufacturing Ltd.

B-Tech, Better By Design & System X are registered trademarks of B-Tech International Design & Manufacturing Ltd.

All other brands and product names are trademarks of their respective owners.

Photographs are for illustrative purposes only. E&OE.

*Manufactured by:*

**B-Tech International Ltd**

Bennett House, Long March, Daventry, Northamptonshire, NN11 4NR, UK

**B-Tech Pro-AV BVBA**

Brixtonlaan 32, Zaventem 1930, Brussels, Belgium

AMA-BT8370-V1.1-1021-BTECH MADE IN VIETNAM

