



IDEAL FOR  
 MULTI-SCREEN  
 INSTALLATIONS

# BT8390-VESA400F SYSTEM X™ UNIVERSAL INTERFACE ARMS FOR MEDIUM / LARGE SCREENS



Ideal for single row, multi-screen installations, these interface arms are designed to mount small to medium sized screens in a fixed position along System X horizontal mounting rails. The universal design is compatible with a variety of different screens and allows them to be mounted in either landscape or portrait orientations. Levelling screws on each interface arm provides post installation height adjustment and a mounted depth of 48mm from the wall allows easy access for cables and connectors.

### SPECIFICATION

|                                      |                                   |
|--------------------------------------|-----------------------------------|
| Recommended screen size              | 39" - 70"                         |
| Max load                             | 70kg                              |
| VESA® & non-VESA fixings             | up to 400mm* (vertical dimension) |
| Depth (typical wall mounted install) | 48mm                              |

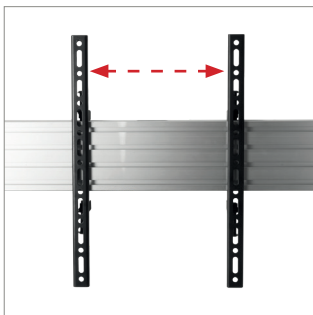
\*The VESA specification of the BT8390-VESA400F refers to the **vertical dimension only**. All System X interface arms can be positioned as far along the rail as necessary.

### FEATURES

- Ideal for menu boards and other multi-screen installations
- Universal design compatible with most screens
- Suitable for landscape or portrait mounting
- Lateral adjustment - position arms anywhere along the length of the rail
- Includes levelling screws to adjust the screen height
- Safety screws help prevent unauthorised removal of screens
- Simple 'hook-on' installation



70" / 177cm VESA 400 70KG SYSTEM X



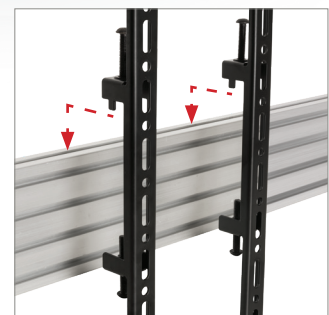
Position arms anywhere along the length of the rail



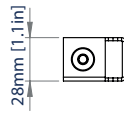
Arms feature levelling screws to adjust the screen height



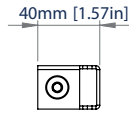
Safety screws help prevent unauthorised removal of screens



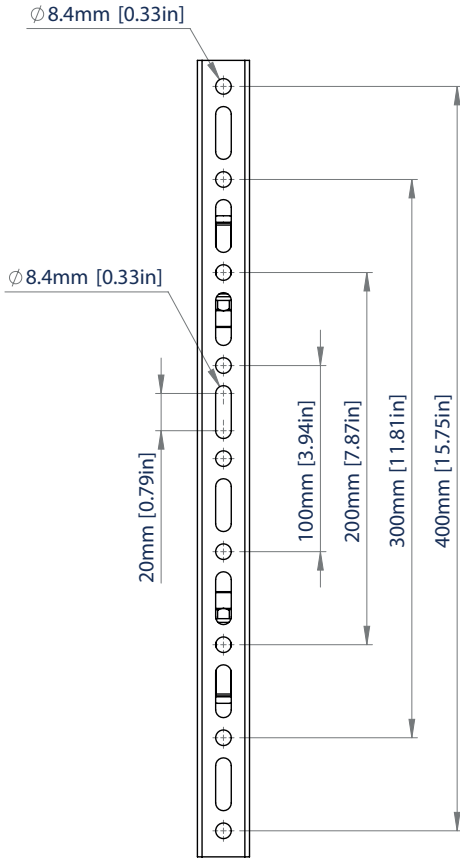
Simple 'hook-on' installation



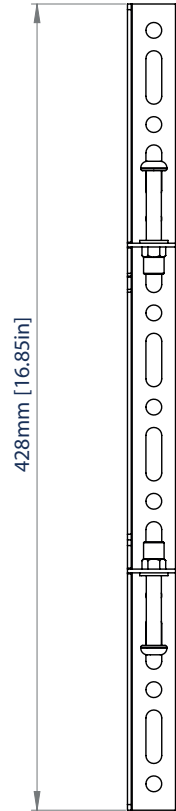
TOP VIEW



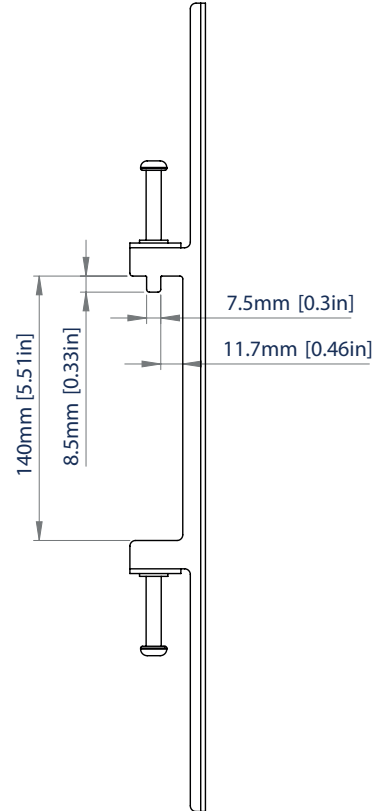
BOTTOM VIEW



FRONT VIEW



REAR VIEW



SIDE VIEW

PACKING INFORMATION

| COLOUR: | ORDER REF:        | EAN CODE:     | MASTER CARTON QTY: | INNER CARTON QTY: | MASTER CARTON WEIGHT: | MASTER CARTON CUBE: |
|---------|-------------------|---------------|--------------------|-------------------|-----------------------|---------------------|
| Black   | BT8390-VESA400F/B | 5019318501210 | 10                 | 0                 | 12.8kg                | 0.023cbm            |

ACCESSORIES AND RELATED PRODUCTS

BT7564



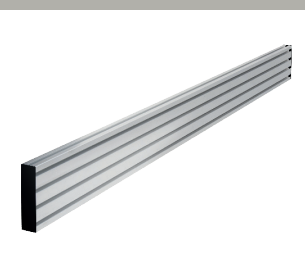
Interface Adaptor Arms for VESA 600 x 400 can be used with VESA 200 or 400 arms to increase the maximum vertical fixings to 600mm for larger screens

BT8390-WFK1



Wall Fixing Kits are used to fix mounting rails securely to the wall

BT8390-030/050/070/150/175/200



Mounting Rails can be attached to columns, walls or poles using System X components

BT8390-VESA400T



VESA 400 Interface Arms with Tilt mount medium - large sized screens to mounting rails, with a tilt range of up +20°

© 2019 B-Tech Professional Design & Manufacturing Ltd. All rights reserved.  
 We warrant that the information on this document is true and correct to the best of our knowledge and belief.  
 We accept no liability for loss or damage caused by improper or incorrect installation, use or modification of any part of the  
 specification, especially professional users, where permission has been granted by B-Tech Professional Design & Manufacturing Ltd.