

BT8428

BACK-TO-BACK FLAT SCREEN CEILING MOUNT WITH TILT

Designed to ceiling mount two screens in a back-to-back configuration, the BT8428 is available in a choice of FOUR different drop lengths; 1m, 1.5m, 2m and 3m. The mount uses B-Tech's unique 'Torsion-Tilt' mechanism for easy tilt up to +/-15°. Levelling screws are included on the interface arms to finely adjust the screen height and locking screws help prevent unauthorised removal of the screens.

SPECIFICATIONS

Recommended Screen Size	up to 65"
Max load	50kg (per screen)
VESA® & non-VESA fixings	up to 468 x 400mm
VESA® compatibility (with included adaptors)	up to 600 x 400
Ceiling drop	460mm, 960mm, 1460mm, 1960mm, 2960mm*
Tilt (at screen)	up to +/-15°
Tilt (at ceiling)	up to +90°
Colour option (Ø50mm pole)	Black, White or Chrome



FEATURES

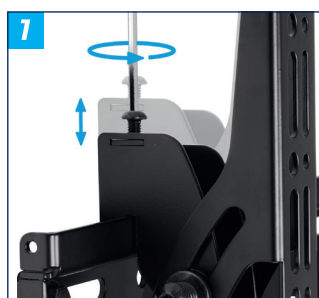
- 1 Levelling screws allow adjustment of the screen height once mounted
 - 2 Security locking screws and Allen key provide a secure installation
 - 3 Ceiling bracket can be tilted for mounting on angled ceilings
 - 4 Maximum VESA fixing can be increased to 600mm using the included adaptor arms
- Mounts two screens back-to-back
 - Unique 'torsion-tilt' mechanism for tool-less screen tilt adjustment
 - Suitable for landscape or portrait mounting
 - Lateral adjustment of screen once mounted
 - Poles are supplied with safety bolt and grub screws for a secure installation
 - Integrated cable management
 - Simple 'hook-on' installation with all mounting hardware included



Available in 4 pole lengths**

BT8428-100	1m Pole
BT8428-150	1.5m Pole
BT8428-200	2m Pole
BT8428-300	3m Pole

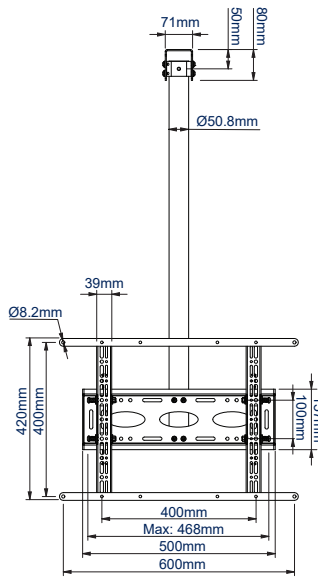
RECOMMENDED MAX SCREEN	MAX SCREEN WEIGHT	MAX VESA	POST INSTALL ALIGNMENT	TILT	COLOUR OPTIONS	QR CODE
65" 165cm	50kg	600 x 400		15° 15°		



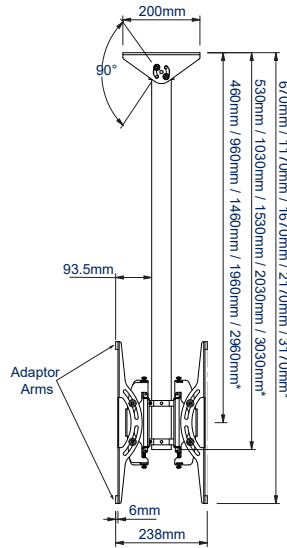
*From the ceiling to the centre of the mount

** White poles only available in 1m & 1.5m lengths

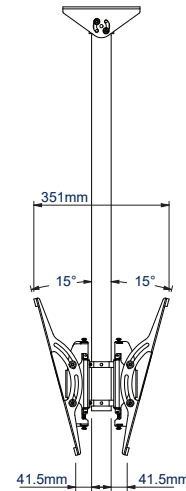
BT8428



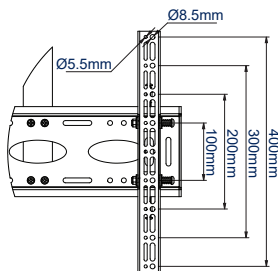
FRONT VIEW WITH ADAPTOR ARMS



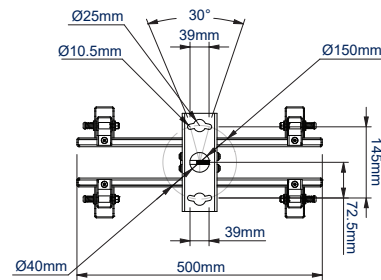
SIDE VIEW INTERFACE FLAT



SIDE VIEW INTERFACE TILT DOWN



INTERFACE ARM CLOSE UP VIEW



TOP VIEW

ORDERING INFORMATION

COLOUR	ORDER REF	EAN
Black w/ Black Poles	BT8428-100/B	5019318551413
Black w/ Chrome Poles	BT8428-100/C	5019318551512
Black w/ White Poles	BT8428-100/W	5019318302497
Black w/ Black Poles	BT8428-150/B	5019318551420
Black w/ Chrome Poles	BT8428-150/C	5019318551529
Black w/ White Poles	BT8428-150/W	5019318302503
Black w/ Black Poles	BT8428-200/B	5019318551437
Black w/ Chrome Poles	BT8428-200/C	5019318551536
Black w/ Black Poles	BT8428-300/B	5019318501807
Black w/ Chrome Poles	BT8428-300/C	5019318501814

RELATED PRODUCTS

PRODUCT CODE	NAME	DESCRIPTION
BT8424	Universal Flat Screen Ceiling Mount with Tilt	Designed for screens up to 65"
BT8426	Flat Screen Ceiling Mount with Adjustable Drop	Designed for screens up to 65"
BT8448	Extra-large Flat Screen Ceiling Mount	Designed for screens over 65"
BT7565	VESA Adaptors	Increases VESA fixes up to 800mm

© 2014 B-Tech AV Mounts Corporation Ltd. All rights reserved. The information in this specification sheet reflects the current technical specifications as of the time of printing. We reserve the right to change the technical or physical specifications without prior notice. The B-Tech logo and the B-Tech name are registered trademarks of B-Tech AV Mounts Corporation Ltd. B-Tech is a registered trademark of B-Tech AV Mounts Corporation Ltd. All other trademarks are the property of their respective owners. B-Tech is not responsible for any loss or damage caused by improper installation or mounting on unsuitable structures. Any reproduction or use without the express written permission of B-Tech AV Mounts Corporation Ltd. is prohibited.

SS-V2-BT8428-05092024