

# BTF843

## UNIVERSAL PORTRAIT FLAT SCREEN FLOOR STAND

1.8M

The BTF843 is a premium mounting solution designed to mount extra-large screens in a portrait orientation. A heavy duty steel base eliminates the need to bolt to the floor and adjustable levelling feet are included to accommodate uneven surfaces. The high-end aesthetic with an anodised aluminium finish and integrated cable management ensures finished installations are neat and tidy, making the BTF843 ideal for use in professional or commercial applications.

### SPECIFICATIONS

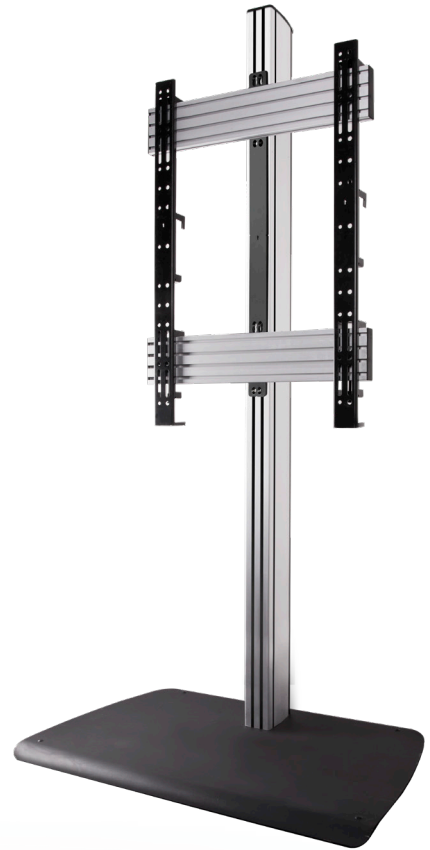
Recommended screen size	<b>60" - 85"</b>
Max load	<b>70kg</b>
VESA® and non-VESA fixings	up to <b>800 x 600mm</b>
Dimensions	W : <b>890mm</b> D : <b>604mm</b> H : <b>1841mm</b>
Colour (column)	<b>Black</b> or <b>Silver</b>
Colour (rails)	<b>Silver</b>
Colour (base & arms)	<b>Black</b>

### FEATURES

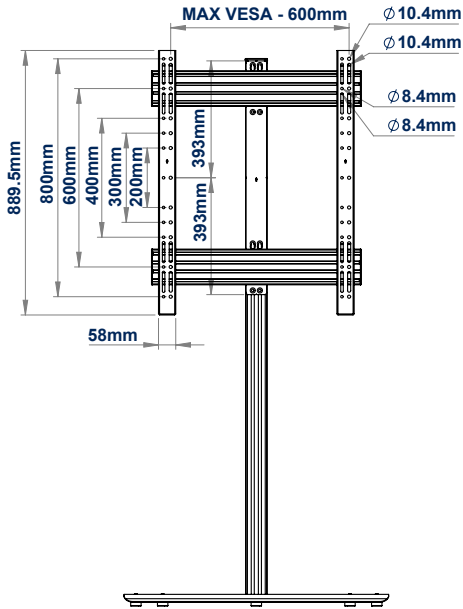
- 1** Supplied with adjustable levelling feet to accommodate uneven floor surfaces
  - 2** Collar compatible accessories such as shelves (available separately) can be fitted directly to the column
  - 3** Arms feature levelling screws to adjust the screen height
  - 4** Integrated cable management for a neat and tidy installation
- Universal design suitable for mounting XL screens in a portrait orientation
  - Heavy duty steel base construction provides stability, eliminating the need to bolt to the floor
  - Can also be bolted to the floor to prevent relocation of the display
  - Safety screws help prevent unauthorised screen removal
  - Simple 'hook-on' screen installation

SYSTEM 

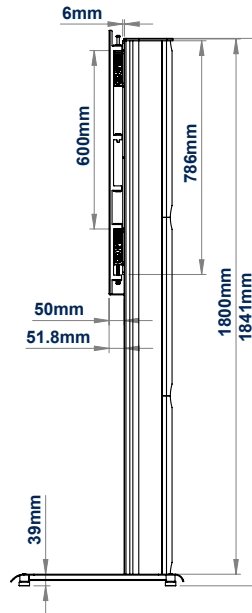
RECOMMENDED MAX SCREEN	MAX LOAD	MAX VESA	POST INSTALL ALIGNMENT	COLOUR OPTIONS	QR CODE
85" 216cm	70kg	800 x 600			



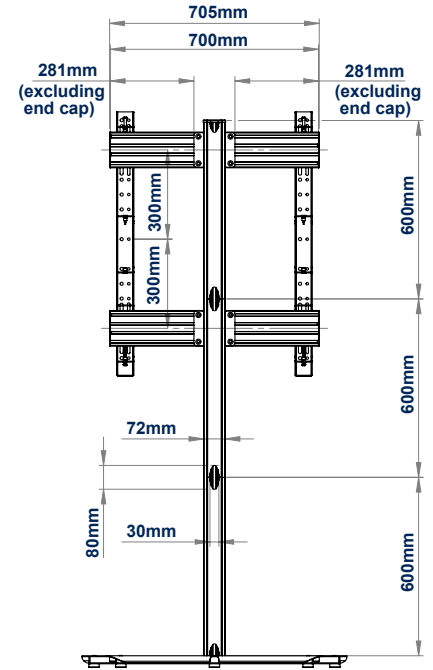
# BTF843



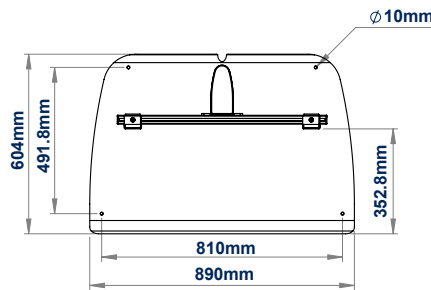
FRONT VIEW



SIDE VIEW



REAR VIEW



TOP VIEW

## ORDERING INFORMATION

COLOUR	ORDER REF	EAN
Black	BTF843/BB	5019318087608
Silver	BTF843/BS	5019318087615

## RELATED PRODUCTS

PRODUCT CODE	NAME	DESCRIPTION
BT7032	Large AV Accessory Shelf	Designed for adding AV accessories to an installation or wall
BT7863	VC Camera Shelf	Designed for adding VC camera / small media players to an installation or wall
BTF840	System X Flat Screen Floor Stand - 1.8m	Designed to mount a single screen in portrait or landscape
BTF841	System X Dual Stack Floor Stand - 1.8m	Designed to mount two screens, one above the other, in portrait or landscape

© 2018 B-Tech AV Mounts Corporation Ltd. All rights reserved.  
 The information in this specification sheet reflects the current technical specifications at the time of printing.  
 We reserve the right to change the technical or physical specifications without prior notice. The B-Tech name and the B-Tech logo are registered trademarks of B-Tech AV Mounts Corporation Ltd.  
 B-Tech is not responsible for any damage or loss of data caused by improper installation or mounting on unstable structures. Any reproduction or use without permission is prohibited.  
 Specification sheet is strictly confidential unless prior written permission is granted by B-Tech AV Mounts Corporation Ltd. B-Tech.

SS-V2-BTF843-100924