

Features

- ▶ USB 3.2 (Gen 1x1) – 5Gbps data transmission
- ▶ Gold plated precision contacts
- ▶ USB-A male to USB-B male with PureLink APO™
- ▶ Tinned copper strands and triple shielding, AWG28
- ▶ Power transmission with max. power output 3A / 5V / 15W

Connections

| | | |
|--|---|-------------------------|
| Connector Material | PVC Plastic | |
| Contact Material | Gold-plated | |
| Connector 1 | USB-A Male | |
| Dimensions Connector 1 | ca. 40.8 x 15.6 x 9mm | |
| Connector 2 | USB-B Male | |
| Dimensions Connector 2 | 40,9 x 11,5 x 13,8mm | |
| Active Signal Amplifier | PureLink APO™ without Separate Power Supply | |
| Drivers | Plug&Play, no Drivers Required | |
| Dimensions cable repeater | 84.0 x 15.0 mm | |
| Quantity of in-cable repeater modules per length | Length | Cable repeater quantity |
| | 5.00m | 1 |
| | 10.00m | 1 |
| | 15.00m | 2 |
| | 20.00m | 3 |
| | 25.00m | 4 |

Cable

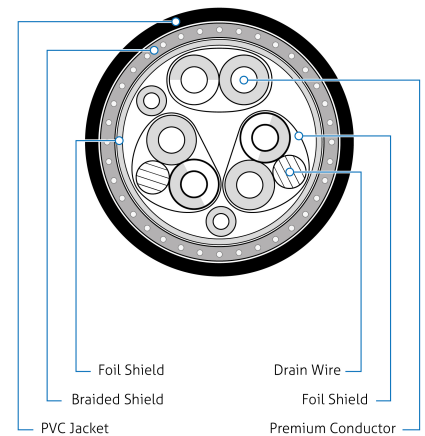
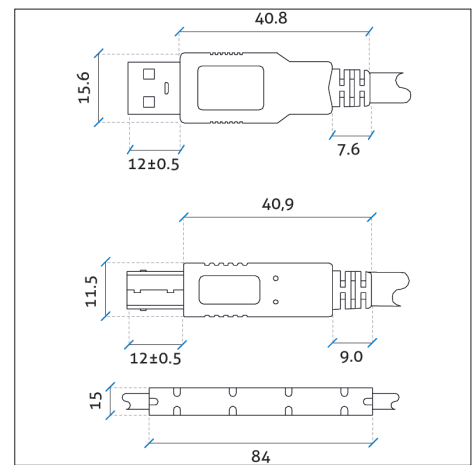
| | |
|--------------------------|---|
| Type | Round Cable |
| Construction | 3x 28AWG Twisted Pair + 2x 24AWG Single Wires + Drain |
| Shielding | Triple Shielded |
| Inner Conductor Material | Tinned Stranded Copper |
| Jacket Outer Material | PVC |
| Cable Outer Diameter | 5.5mm |
| Minimum Bend Radius | 38.5mm |
| Sheath Printing | Cable Standards, Max. Temperature, Combustion Class |

Signal Transmission

| | |
|-------------------|-------------------------------|
| Standard | USB 3.2 (Gen 1x1) / 2.0 / 1.1 |
| Max. Bandwidth | 5 Gbps |
| Max. Power Output | 0.85A / 5V / 4.25W |

General

| | |
|----------------------------|----------------------------|
| Transmission Distance | Up to 25.00m |
| Operation Temperature | 0°C - 50°C |
| Colour | Black |
| Packaging | Giftbox, PAP21 |
| Certification / Compliance | CE, FCC, VW-1, ROHS, REACH |



DS3000 Overview

| Parent | Art.-No. | Length | Colour | EAN |
|--------|------------|--------|--------|---------------|
| DS3000 | DS3000-050 | 5.00m | black | 4251364736029 |
| | DS3000-100 | 10.00m | black | 4251364716144 |
| | DS3000-150 | 15.00m | black | 4251364716151 |
| | DS3000-200 | 20.00m | black | 4251364716168 |
| | DS3000-250 | 25.00m | black | 4251364716175 |

PureLink GmbH | Von-Liebig-Str. 10 | 48432 Rheine | Germany | ☎ +49 5971 800 299-0 | 📠 +49 5971 800 299-99 | ✉ info@purelink.de

We regularly expand our product range. We will be happy to provide information on updates in this regard upon request. All information is subject to confirmation and non-binding. Technical changes, printing errors and mistakes excepted. The illustrations used in these document may differ from the delivered product.

