

SY-USB100

User Manual

**100m USB 2.0 Extender
(Data rate: 170 Mbps)**

Thank you for purchasing the SY-USB100

The SY-USB100 extender set is designed with the professional AV installers in mind. The Plug-and-Play feature of the SY-USB100 extender set assists in system integration, validation and maintenance.

Installation precautions

This product has special circuitry to protect it against moderate surges and static discharges. However, to ensure reliable operation and long service life, it is important to take the necessary precautions against any spikes, surges and static discharges.

Place the units away from heat sources and allow adequate ventilation.

Shielded cable and in particular cat6, cat6a or cat7 is highly recommended. As much as possible cables should be routed away from any noisy sources and avoiding long runs in close proximity to AC mains cables.

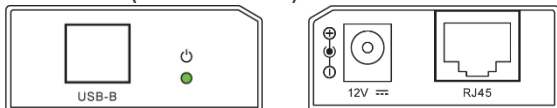
The SY-USB100 Extender is designed to allow the remote location of USB 2.0 devices such as cameras, storage devices, keyboards, pointing devices and printers up to a maximum distance of 100m.

Features

- Supports USB 1.0, 1.1 & 2.0 devices
- USB 2.0 data rates up to 170 MHz
- Extends USB 2.0 up to 100m
- One USB Type B port on SY-USB100-T transmitter
- Two USB 2.0 ports on SY-USB100-R receiver
- Receiver requires 12V 1A PSU at each end
- Simple Plug and Play, no drivers / configuration required
- Compact design for ease of use and flexibility

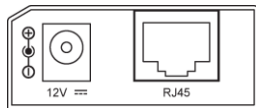
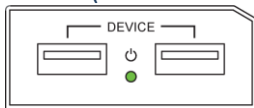
Connectors and Controls

Transmitter (SY-USB100-T)



Name	Description
USB-B	USB Type B connection to PC
Power LED	Lit when powered from 12V DC
12V DC IN	12V DC input from PSU
RJ45	Cat cable connection to receiver

Receiver (SY-USB100-R)

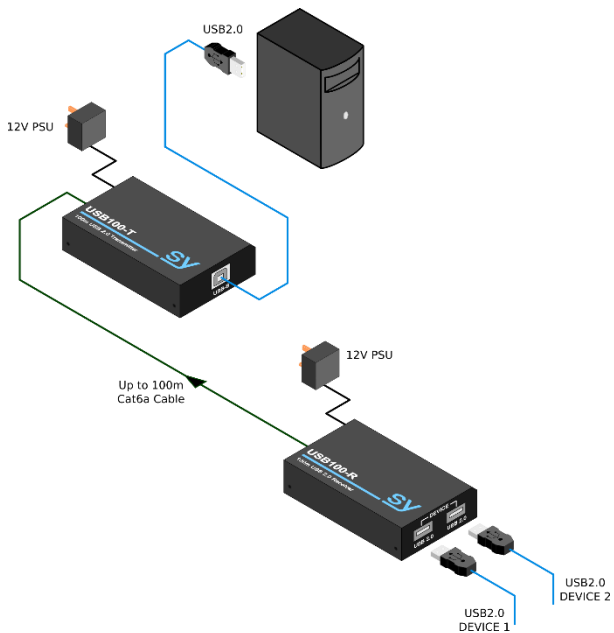


Name	Description
DEVICE	Two USB Type A connectors for USB devices
Power LED	Lit when powered from 12V DC
12V DC IN	12V DC input from PSU
RJ45	Cat cable connection to transmitter

Using this Product

- Connect the desired USB devices to the USB100-R receiver
- Connect a Cat5e or Cat6 cable between the RJ45 connectors of the transmitter and receiver units.
- Power up the transmitter with the 12V 1A PSU
- Power up the receiver with the 12V 1A PSU

Connection Example



Specifications

General

USB Specification	1.0, 1.1, and 2.0
Data Rate	Up to 170 Mbps
Max. Distance	Up to 100 m
Power Consumption	Transmitter: 1.3W Receiver: 2.3W
Power Supply	12V 1A DC

Environmental

Operating Temperature	0 ~ 40°C
Operating Humidity	20~90% RH (non-condensing)

Physical

Dimensions (WxHxD)	82 x 20 x 49 mm
Weight	100 g

Packing List

- 1x SY-USB100-T (Transmitter)
- 1x SY-USB100-R (Receiver)
- 1x 1m long USB-B to USB-A cable
- 2x 12V DC PSU
- 1x User Manual

Safety Instructions

To ensure reliable operation of this product as well as protecting the safety of any person using or handling these devices while powered, please observe the following instructions.

1. **ONLY USE** the power supply provided. If an alternate supply is required, check the voltage, polarity and that it has sufficient power to supply the device it is connected to.
2. **DO NOT** operate this product outside the specified temperature and humidity range given in the above specifications.
3. Only use this product indoors.
4. Repair of this product should only be carried out by qualified professionals as this product contains sensitive devices that may be damaged by any mistreatment.
5. Only use this product indoors and in a dry environment. **DO NOT** allow any liquids or harmful chemicals to come into contact with this product.

After Sales Service

1. Should you experience any problems while using this product, firstly refer to the Troubleshooting section in this manual and/or your local dealer before contacting SY Technical Support.
2. When calling SY Technical Support, please provide the following information:
 - Full Product Name and Model Number
 - Product Serial Number
 - Details of the fault and any conditions under which the fault occurs.

-
3. This product has a two year standard warranty beginning from the date of purchase as stated on the sales invoice. For full details please refer to our Terms and Conditions.
 4. The SY Product warranty is automatically void under any of the following conditions:
 - The product is already outside of its warranty period
 - Damage to the product due to incorrect usage or storage
 - Damage caused by unauthorised repairs
 - Damage caused by mistreatment of the product
 5. Please direct any questions or problems you may have to your local dealer before contacting SY Electronics.