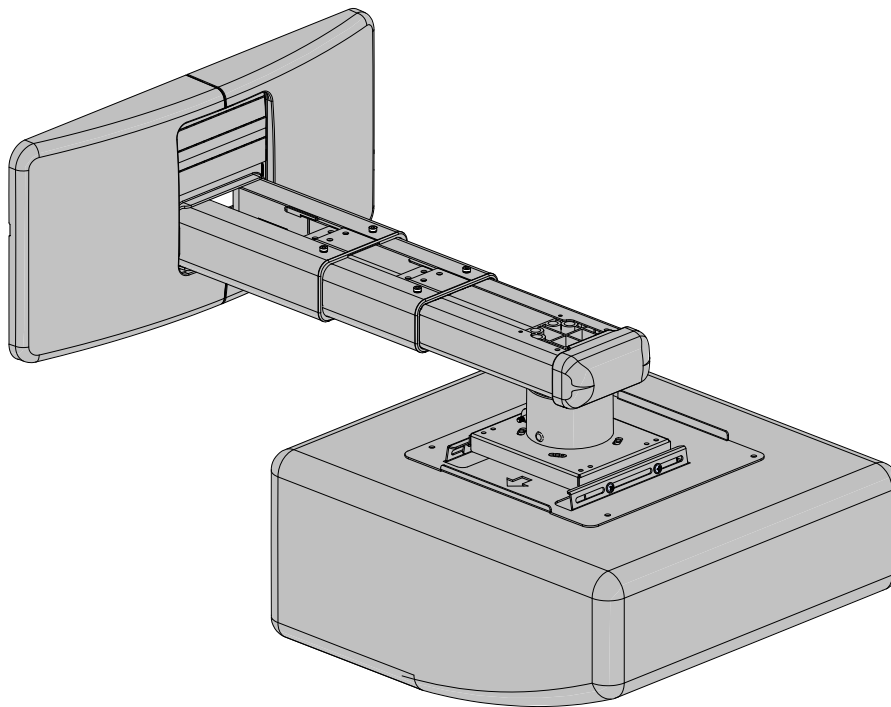


Installation Manual

Model:LT30B-G

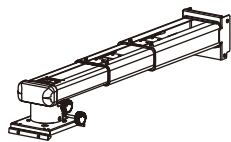


- It is imperative that the installation instructions within this manual are followed for safety reasons. Vivitek Corporation is not responsible for damages resulting from incorrectly installed mounts or projectors on to the mount.
- Sufficient expertise is required for installing this projector wall mount.
- Do not use the projector wall mount for purposes other than for which it is designed.
- Please contact Vivitek at 1-855-885-2378 with any questions pertaining to the correct installation of this projector mount.

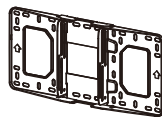
Important Safety

- ❶ Be sure this manual is completely understood before installation work.
 - ❷ Installation or dismantling of the projector from the projector wall mount must be carried out only by qualified service personnel (two or more).
 - ⚠ **Using products heavier than the maximum weight (Weight Capacity : < 33lb) indicated may result in instability causing possible injury.**
 - ❸ For safety reasons, check the strength of the wall before installation. If the wall is not strong enough, reinforce it sufficiently before installation.
 - ❹ Do not make alterations to the projector wall mount.
 - ❺ Do not install the projector wall mount on a wall subject to vibration or impact.
 - ❻ Adhere to projector environmental specifications pertaining to humidity and temperature.
 - ❼ Use the supplied accessories only. Use of accessories other than those supplied may result in damage to the projector wall mount.
 - ❽ When dismantling the projector from the projector wall mount, be sure to unplug the AC power cord and other connecting cables beforehand.
 - ❾ Do not hit or hang any heavy objects on the projector wall mount. If the projector wall mount is damaged, stop use and contact a qualified service person immediately.
 - ❿ Please install this apparatus only on the horizontal surface instead of the slanting one.
- * **Manufacturer is not liable for any damages or injury caused by mishandling or improper installation.**

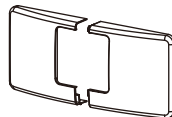
Checking The Supplied Accessories



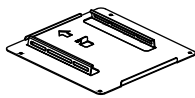
Fixed Support Arm X 1



Wall Plate X 1



Wall Cover X 1

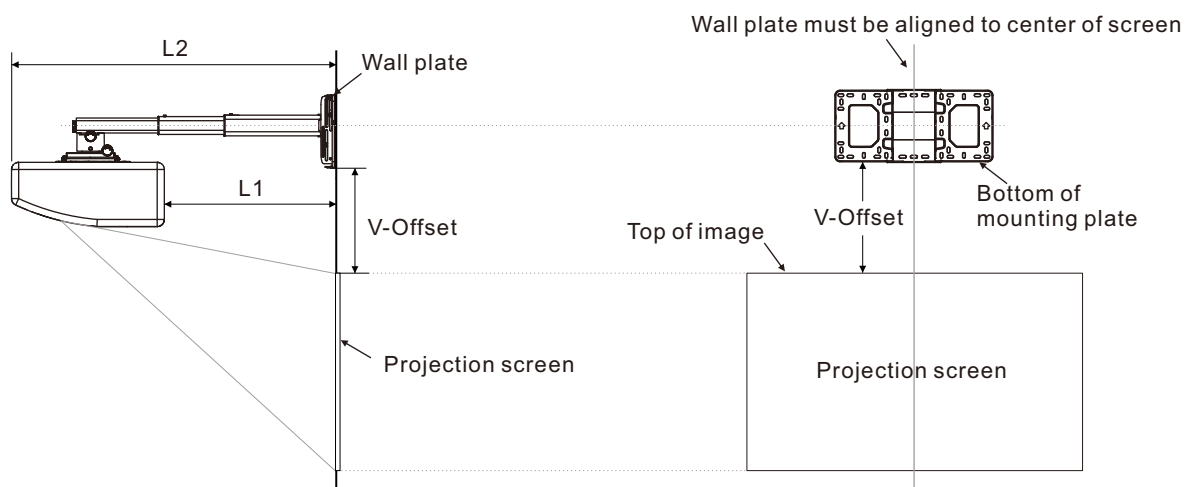


Projector Mounting Plate X 1



Wall Plate Cover X 1

NO	diagrammatic presentation	designation	quantity
A		Screw (M6X55)	5
B		Φ10mm Anchor bolt	5
C		L5 Allen key	1
D		L3 Allen key	1
E		Screw (M4X8)	4
F		Screw (M6X15)	4
G		M4 connecting screw	4



Checking The Installation Position

1080P [1920 x 1080]

Projection image size			Installation distance	
Diagonal	Width x Height	Bottom height (V-Offset)	From a projecting surface to the rear of the unit L1	From a projecting surface to the rear of the unit L2
inch	cm x cm	inch (cm)		
80	177 x 99.6	11.1(28.2)	1.63(4.1)	16.98(43.1)
105	232 x 130	13.4(34)	6.87(17.5)	22.22(56.5)
125	277 x 156	15.23(38.7)	11.06(28.1)	26.42(67.1)
150	332 x 187	17.53(44.5)	16.3(41.4)	31.65(80.4)

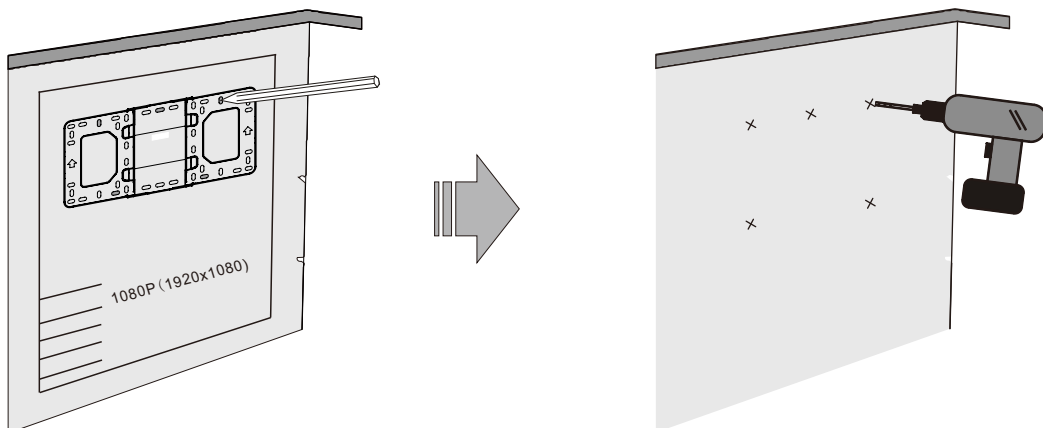
WXGA [1280 x 800]

Projection image size			Installation distance	
Diagonal	Width x Height	Bottom height (V-Offset)	From a projecting surface to the rear of the unit L1	From a projecting surface to the rear of the unit L2
inch	cm x cm	inch (cm)		
80	172 x 108	101.05(256.7)	20.15(51.2)	173.69(441.2)
105	226 x 141	120.9(307.1)	73.67(187.1)	227.22(577.1)
125	269 x 168	136.78(347.4)	116.49(295.9)	270.03(685.9)
150	323x 202	156.62(397.8)	169.99(431.8)	323.53(821.8)

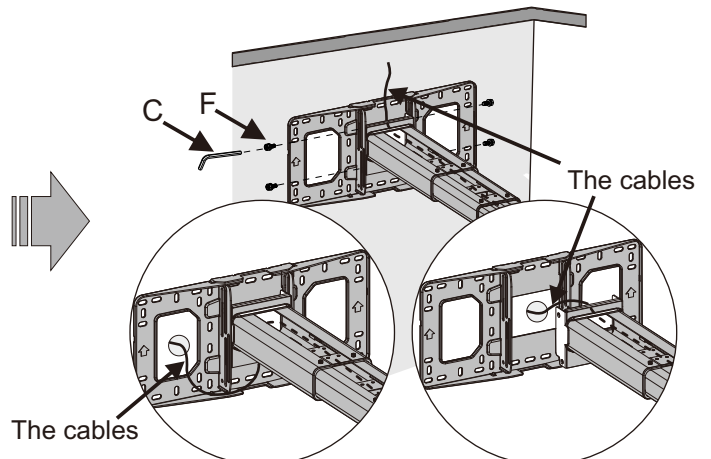
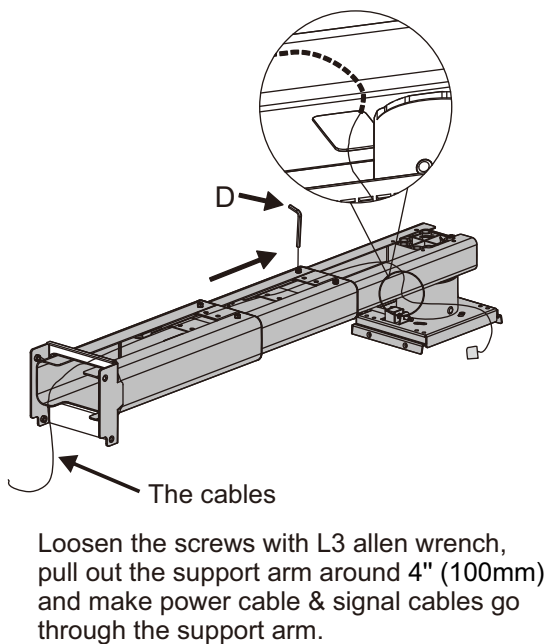
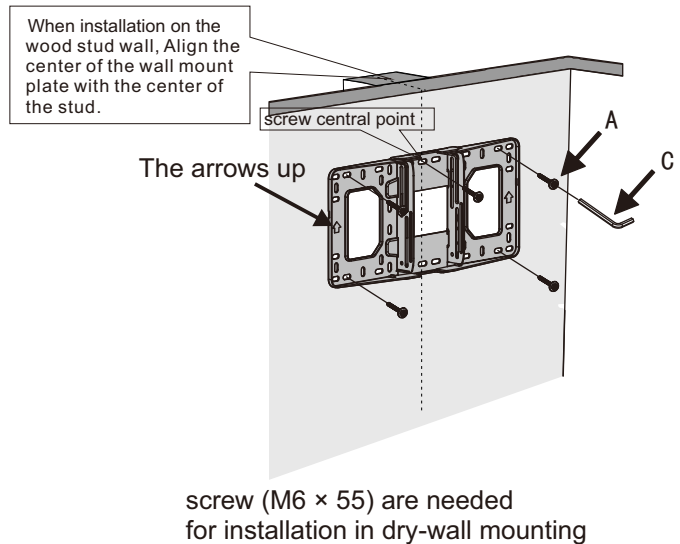
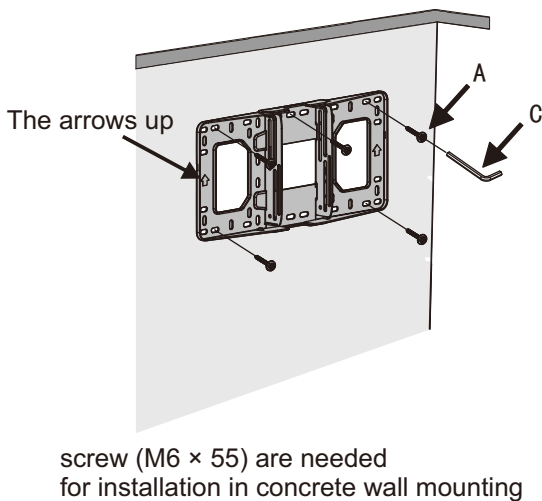
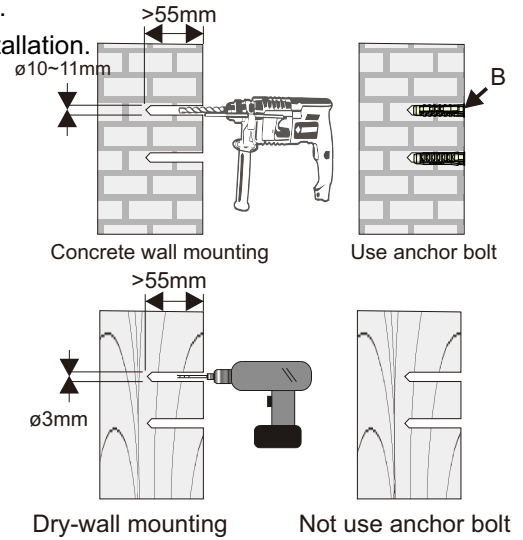
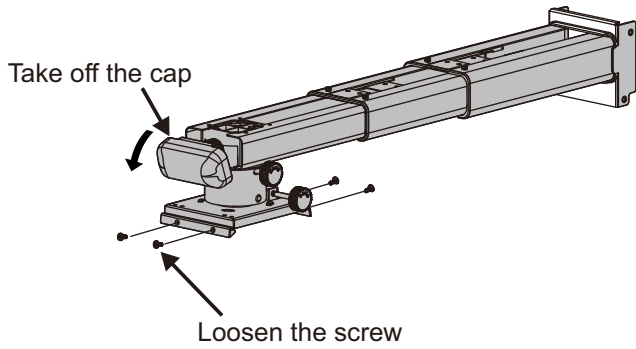
XGA [1024x768]

Projection image size			Installation distance	
Diagonal	Width x Height	Bottom height (V-Offset)	From a projecting surface to the rear of the unit L1	From a projecting surface to the rear of the unit L2
inch	cm x cm	inch (cm)		
65	132 x 99	106.49(270.5)	13.02(33.1)	166.57(423.1)
80	163 x 120	122.4(310.9)	50.88(129.2)	204.42(519.2)
105	213 x 160	148.9(378.2)	113.95(289.4)	267.50(679.4)
125	254x 191	170.1(432.1)	161.41(417.6)	317.95(807.6)

To Set The Projector Wall Mount On The Wall

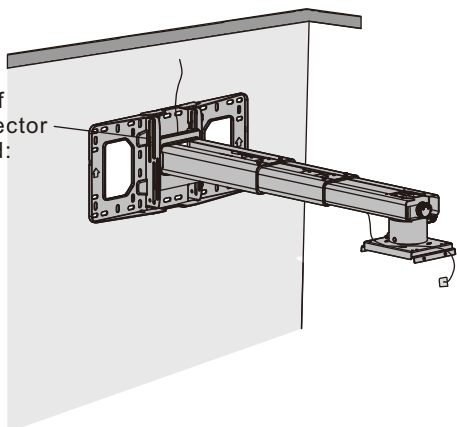


- The bracket is suitable for concrete wall mounting or wooden stud wall.
- Concrete wall mounting thickness must be a minimum 4" (100mm). Anchor bolt and screw (M6 × 55) are needed to be used for concrete wall installation.
- Dry-wall wall thickness must be a minimum 4.5" (114mm). Only screw (M6 × 55) is needed to be used for installation, and gypsum board thickness less than 0.59" (15mm).
If the wall is not strong enough, reinforce it sufficiently before installation.
- Please contact reseller if you have any questions about mounting surface issue.

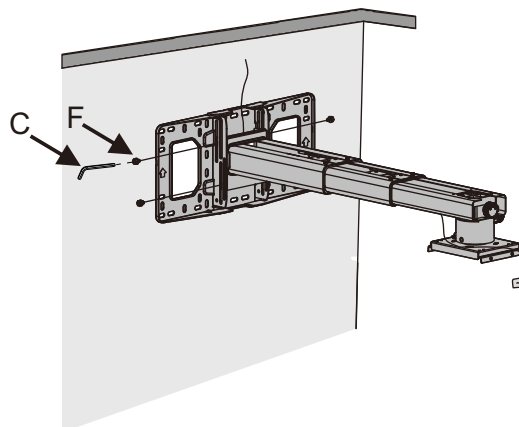


- You can adjust the projector upward/ -downward according to your need.

Sliding distance of adjusting the projector upward/downward: 3.15"(80mm)

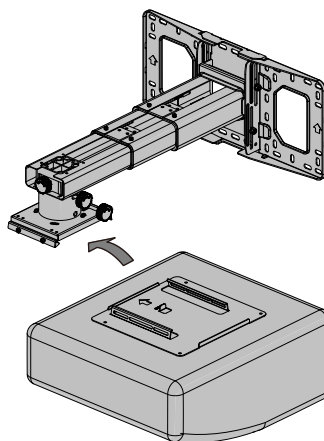
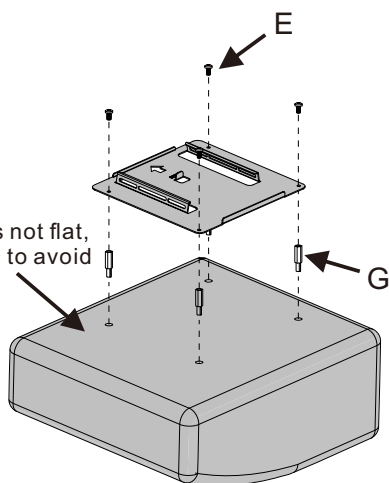


- Tighten the screw "F" after locating the projector position.



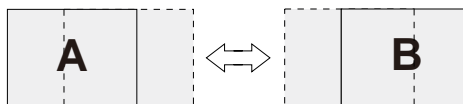
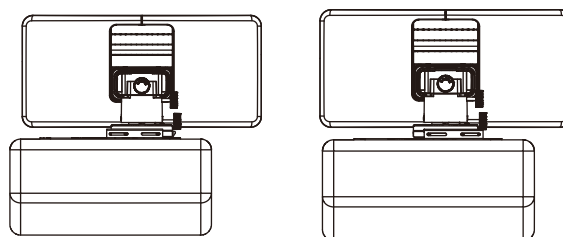
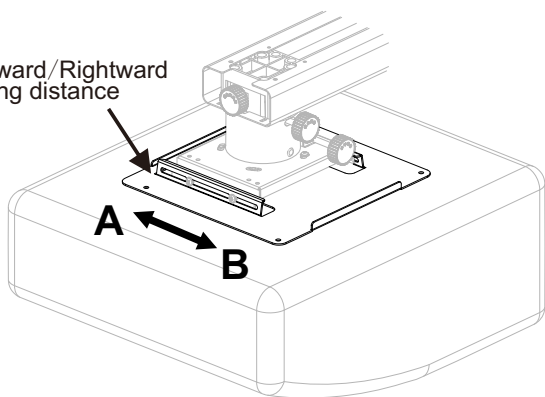
To Install The Projector On The Projector Wall Mount

If the surface is not flat, pls use the "G" to avoid interference.



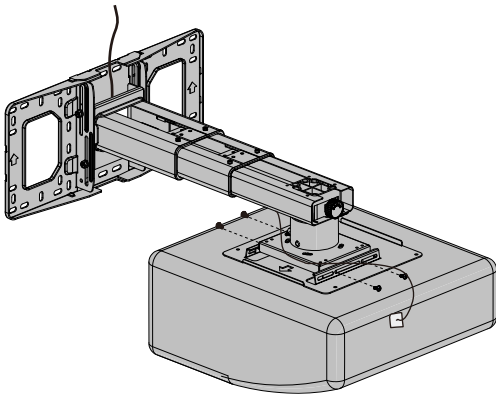
- Move the projector mounting plate leftwards/rightwards to determine the projector position.

Leftward/Rightward sliding distance

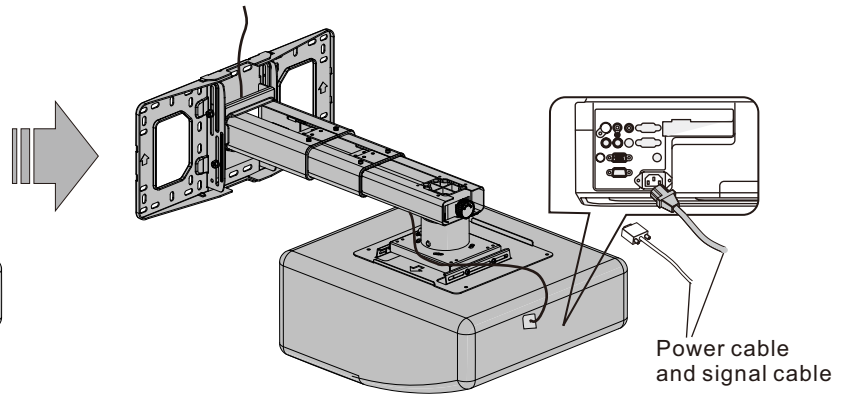


Screen Adjustment Direction

To Install The Projector On The Projector Wall Mount

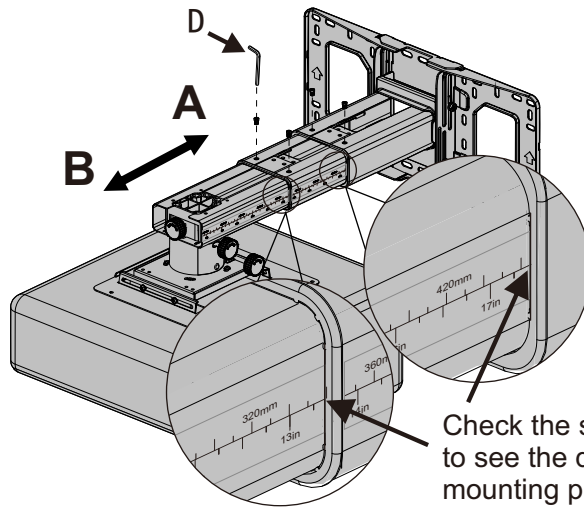


Tighten the screws



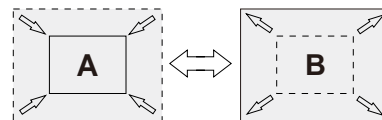
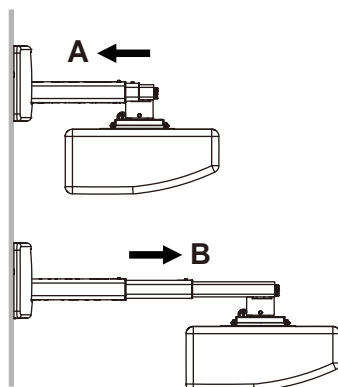
Connect power cable and other signal cable to projector

To Adjust The Projector Forwards/Backwards



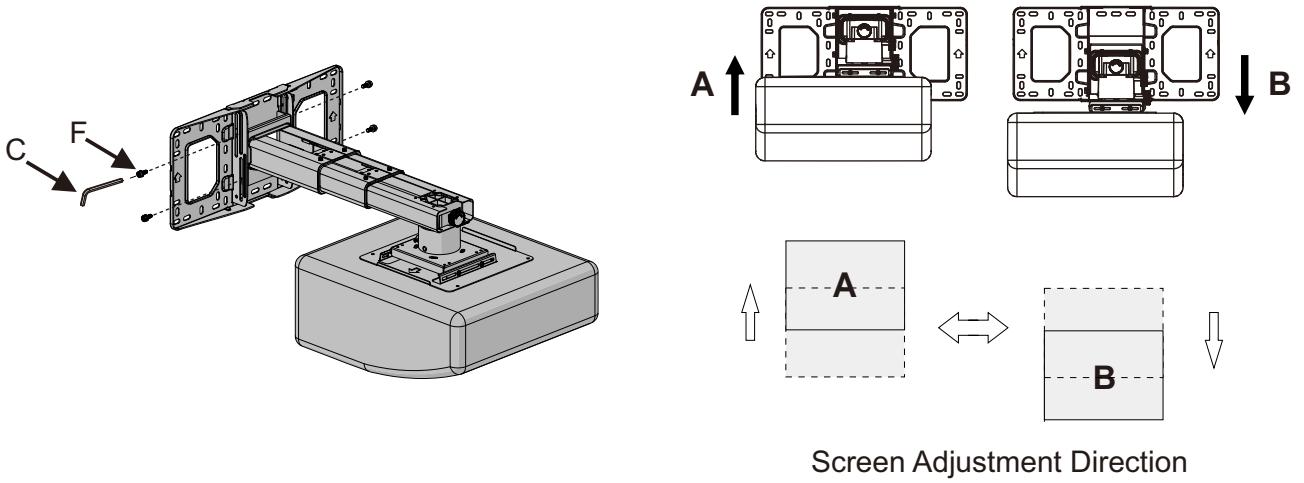
Check the scaleplate to see the distance from mounting plate to the wall.

Note: To make adjustments to meet your demands, screws must be loosened in a specific order. (When the length of the inside arm does not meet your requirements, then you should loosen the screws on the outside arm to adjust the middle arm. Under this circumstance, the number read on the middle arm is correct).

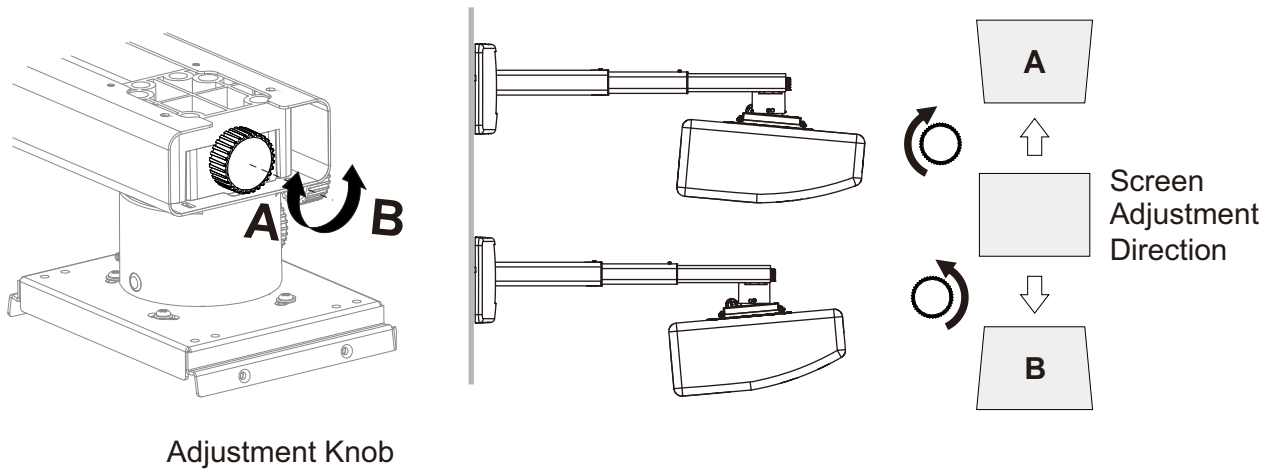


Screen Adjustment Direction

To Adjust The Projector Upwards/Downwards

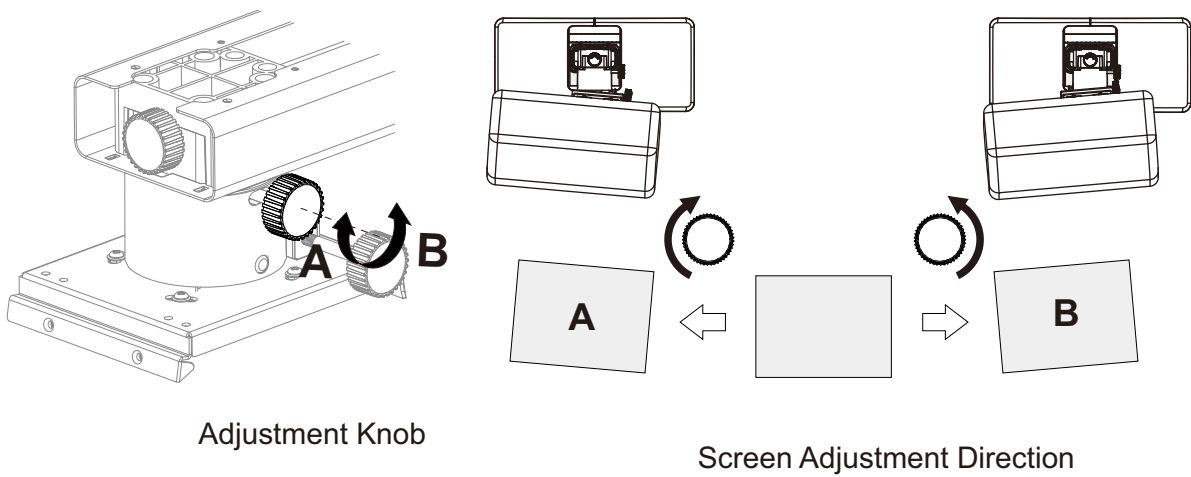


To Adjust The Vertical Tilt Knob



Adjustment Knob

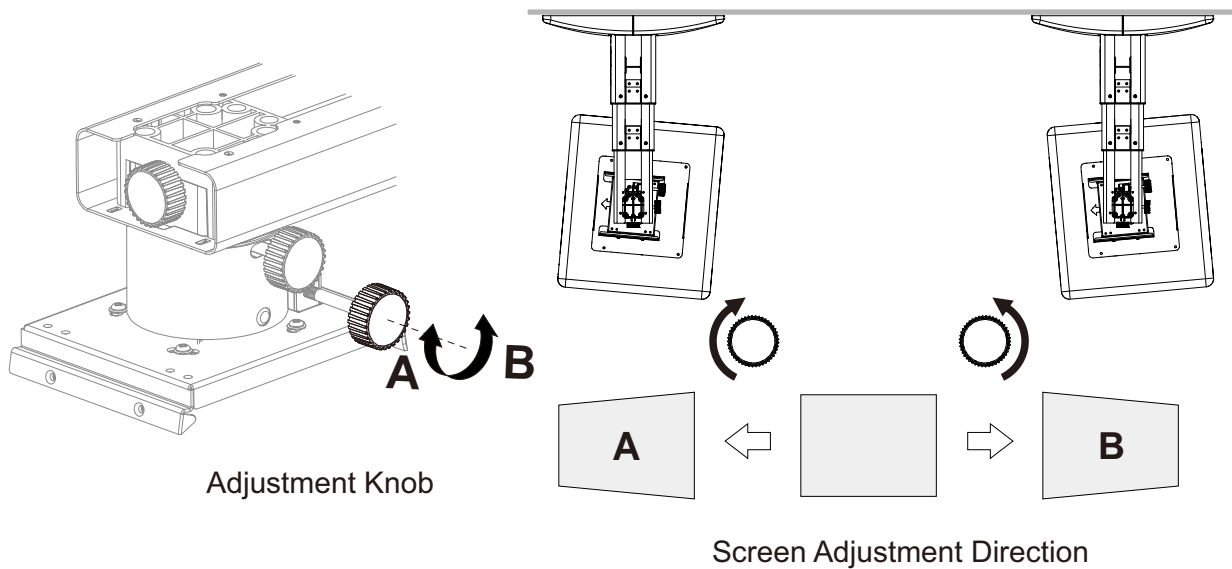
To Adjust The Horizontal Roll Knob



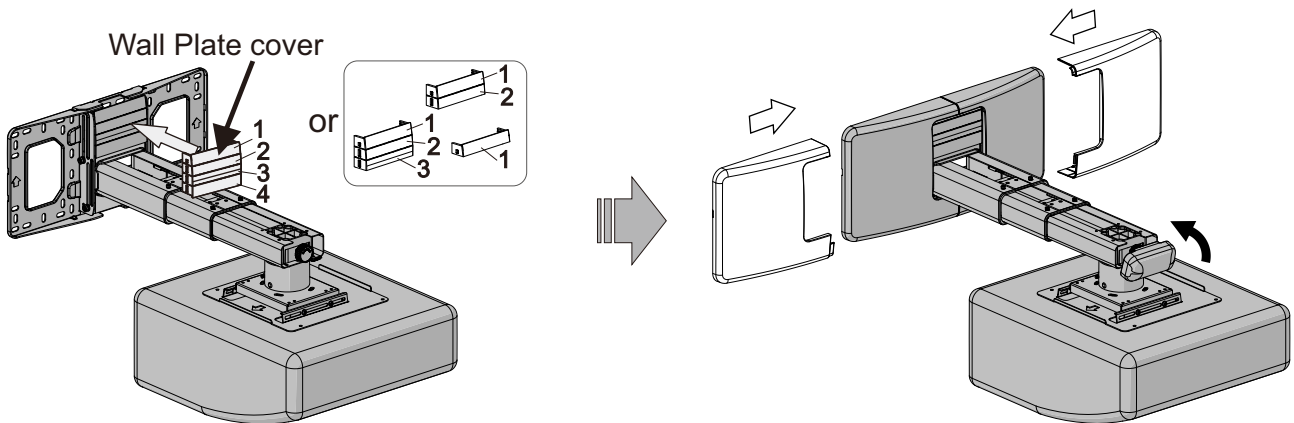
Adjustment Knob

Screen Adjustment Direction

To Adjust The Horizontal Rotation Knob



To Place The Decorative Cover Knob



Note: When all adjustments are completed, the wall plate covers can be used to cover the blank area on the top of wall plate. The number of wall plate covers used depends on the size of the blank area. But the wall cover must be used in an specific order as the picture on the left shows. Finally, put the wall cover on.

Product Information :

Model	LT30B-G
Product Weight	9.9 lbs (4.5kg)
Load Capacity	33 lbs (15kg)
Adjustable Range	8.7" (225mm) - 19.5" (495mm) (from mounting plate center to the screen)
Adjustable Angle	± 5° tilt, left\right, front\rear and lateral rotation adjustment